

# ACS Series Annunciators

## ACM/AEM-24AT, ACM/AEM-48A



### General

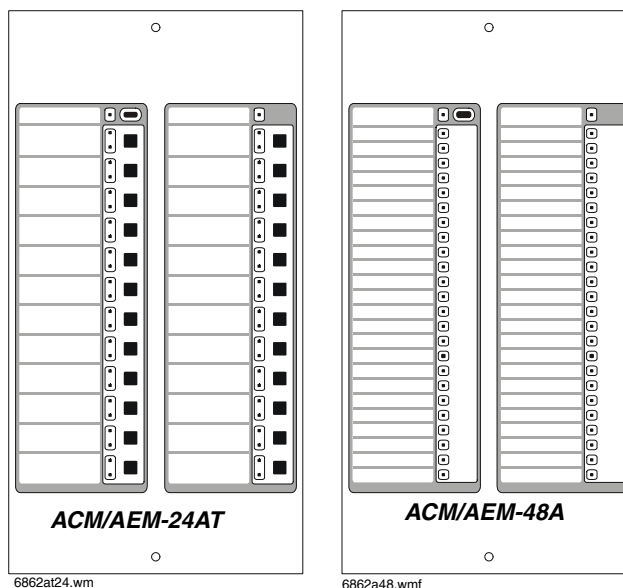
ACS Series Annunciators ACM/AEM-24AT and ACM/AEM-48A provide a modular line of products for annunciation and control of Johnson Controls' Intelligent Fire Alarm Control Panels and Network Control Annunciators. The ACS line provides arrays of LEDs to indicate point status and, in some versions, switches to control the state of output circuits. These ACS units use a serial interface and may be located at distances of up to 6,000 feet (1,828.8 meters) from the panel.

### Features

- Speaker control mode for use with XPIQ and the following panels: IFC-3030, IFC2-3030, IFC-2020, IFC-1010, IFC2-640, IFC-640, IFC-400. Enables the ACS to control operation of groups of multi-channels mapped to groups of multi-speakers.
- Compatible with existing annunciators.
- Color-programmable LEDs.
- On-board end-of-line resistors can be enabled/disabled by setting a switch.
- Alarm/Circuit On and Trouble LED per-point option or more dense Alarm-only option.
- Touch-pad control switch option for remote control of system relays; or silence, reset, and evacuate.
- LEDs may be programmed to display status of indicating circuits or control relays as well as system status conditions.
- Fan Control (manual/automatic) option for the IFC-2020 and IFC-1010.
- System Trouble LED indicator.
- On-Line/Power LED indicator.
- Alarm and trouble resound with flash of new conditions.
- Local sounder for both alarm and trouble conditions with silence/acknowledge button (program options).
- May be powered by 24 VDC from the panel or by remote power supplies.
- Microprocessor-controlled electronics, fully supervised.
- Slip-in custom labels, lettered with standard typewriter or LabelEase program.
- Plug-in terminal blocks for ease of installation and service.

### Construction

The ACS modules are provided in two basic controller modules, each with its expander module. The ACM-24AT provides 24 annunciation and control points per module, each with a red, green, or yellow Alarm/Circuit On LED, a yellow Trouble LED, and a touch-key switch. The ACM-48A provides 48 annunciation points per module, each with a red, green, or yellow Alarm/Circuit On LED (for annunciating control relays, the LED indicates ON/OFF).



On the ACM-24AT, each LED point is individually color-programmable. On ACM-48A, each column of 24 LED points can be color-configured using a DIP switch.

**Temperature and humidity ranges:** This system meets NFPA requirements for operation at 0°C to 49°C (32°F to 120°F); and at a relative humidity (noncondensing) of 85% at 30°C (86°F) per NFPA, and 93% ± 2% at 32°C ± 2°C (89.6°F ± 1.1°F) per ULC. However, the useful life of the system's standby batteries and the electronic components may be adversely affected by extreme temperature ranges and humidity. Therefore, it is recommended that this system and all peripherals be installed in an environment with a nominal room temperature of 15°C to 27°C (60°F to 80°F).

### Installation

The ACS Series annunciator and control subsystems use modular hardware assemblies which allow the custom configuration of the annunciator panel to fit the individual job requirements.

Standard backboxes and mounting hardware schemes, including special remote cabinets, allow the annunciators to be constructed and configured with other system components.

When used with the IFC(2)-3030, IFC(2)-640, IFC-2020, IFC-1010, or IFC-400, the ACS modules can be used for manual selection of speaker and telephone circuits. In this application, they are typically mounted in the main control near the microphone and telephone handset.

For remote annunciation applications, the modules are typically mounted in special ABF or ABS boxes. Control switch key locks (JAKS-1B) and phone jacks (JAPJ-1B) are available.

Communication between the ACS Series annunciators and the host Fire Alarm Control Panel is made through an EIA-485 multi-drop loop, eliminating the need for costly wiring schemes. Four wires are required, two for the EIA-485 com-

munications (twisted pair), and two for 24 VDC regulated power.

Retrofit of ACS Series annunciators into existing systems is easily accomplished. Software may require upgrading, and the IFC-2020 or IFC-1010 must include a JSIB-2048(A)/JSIB-NET Serial Interface Board.

All field-wiring terminations use removable, compression-type terminal blocks for ease of installation, wiring, and circuit testing.

## Operation

The ACS Series annunciator and control system provides the Johnson Controls system with up to 32 remote serially connected annunciators, each with a capacity of 96 points, for a total capacity of **3072 points** (subject to the capability of the FACP). The JNCA(-2), is capable of using the full 96 points.

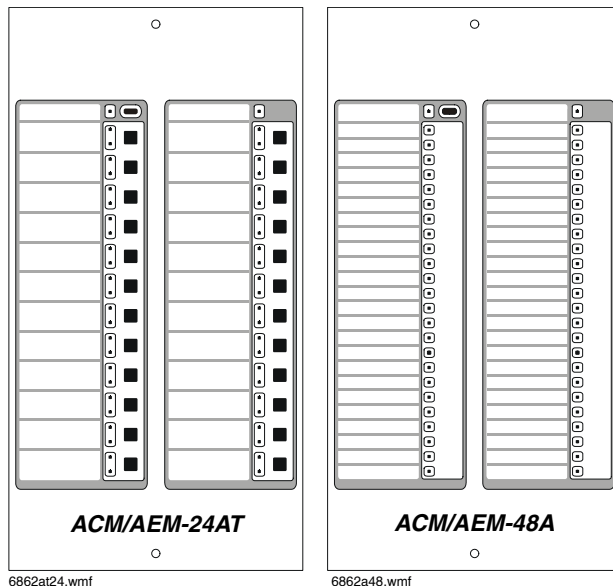
Local or remote power supplies and serial communications allow the ACS to be located virtually anywhere in the protected premises.

IFC-1010/2020, IFC-640, IFC(2)-3030, and JNCA(-2) system alarm and/or trouble conditions may be annunciated on a per-point basis, or in a grouped or zone configuration.

Control of system operational controls, such as Signal Silence, System Reset, and local annunciation controls (such as Local Acknowledge and Lamp Test) may be accomplished through the module's rubber keypad.

## Product Line Information

**ACM-24AT:** (shown below) The Annunciator Control Module-24AT contains 24 color-programmable (red/green/yellow) Active and 24 yellow Trouble LEDs, 24 momentary touch-pad switches, a System Trouble LED, an On-Line/Power LED, and a local piezo sounder with a silence/acknowledge switch for audible indication of alarm and trouble conditions. Includes instructions. 8.375" (21.27 cm) high; 4.375" (11.11 cm) wide.

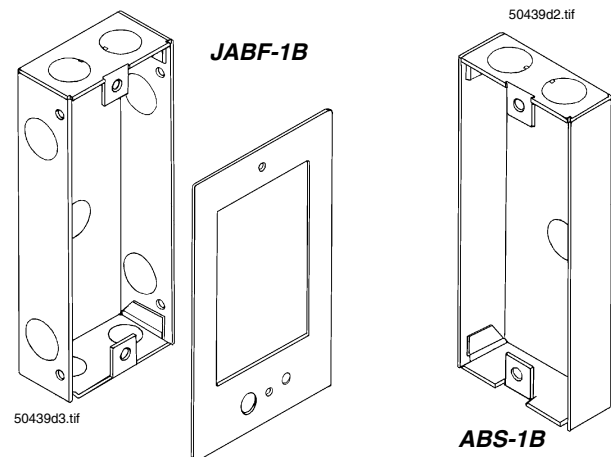


**AEM-24AT:** The Annunciator Expander Module-24AT expands the ACM-24AT by 24 system points. The AEM-24AT is identical in size and in frontal appearance to the ACM-24AT. Up to three of these expander modules can be supported by an ACM-24AT, for a maximum of 96 system points. 8.375" (21.27 cm) high; 4.375" (11.11 cm) wide. **NOTE:** The AEM-24AT **cannot** be used to expand the ACM-48A.

**ACM-48A:** (shown above) The Annunciator Control Module-48A contains 48 color-programmable (red/green/yellow) Active LEDs, a System Trouble LED, an On-Line/Power LED, and a local piezo sounder with a Silence/Acknowledge switch for audible indication of alarm and trouble conditions. Includes instructions. 8.375" (21.27 cm) high; 4.375" (11.11 cm) wide.

**AEM-48A:** The Annunciator Expander Module-48A expands the ACM-48A by 48 system points. The AEM-48A is identical in frontal appearance to the ACM-48A. One expander module can be supported by an ACM-48A, providing a maximum of 96 points (subject to the capability of the FACP). 8.375" (21.27 cm) high; 4.375" (11.11 cm) wide. **NOTE:** The AEM-48A **cannot** be used to expand the ACM-24AT.

**ABS-1B:** (shown below) The Annunciator Surface Box-1B (black) provides for the remote mounting of one annunciator module in a surface-mount enclosure. Knockouts are provided for use with 1/2" (1.27 cm) conduit. The annunciator mounts directly to the ABS-1B without a dress plate. 8.5" (21.59 cm) high x 4.5" (11.43 cm) wide x 2" (5.08 cm) deep. **NOTE:** The ABS-1B will not support the installation of the JAKS-1B Annunciator Key Switch.



**JABS-1TB:** The JABS-1TB is an attractive surface-mount backbox for mounting one ACS Series Annunciator. Unlike the ABS-1B, the JABS-1TB has an increased depth that allows mounting of the JAKS-1B Annunciator Key Switch. Black, 9.938" (25.24 cm) high x 4.625" (11.75 cm) wide x 2.5" (6.35 cm) deep. **NOTE:** An earlier gray model, JABS-1TB, will not accommodate the ACM/AEM-24AT or ACM/AEM-48A. The slightly deeper JABS-1TB will accommodate both the ACM/AEM-24AT or ACM/AEM-48A models and the ACM-16AT/ACM-32A Series.

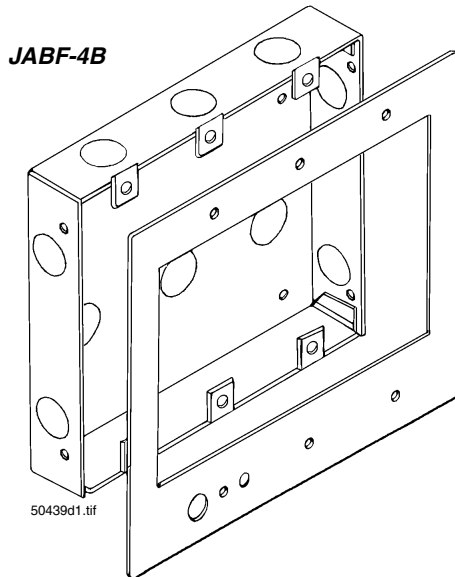
**ABS-2B:** The Annunciator Surface Box-2B (black) provides for the surface mounting of one ACM-24AT/AEM-24AT combination or one ACM-48A/AEM-48A combination. Knockouts are provided for use with 1/2" (1.27 cm) conduit. The annunciators mount directly to the ABS-2B without a dress plate. 8.5" (21.59 cm) high x 8.92" (22.66 cm) wide x 2" (5.08 cm) deep. **NOTE:** The ABS-2B will not support the installation of the JAKS-1B Annunciator Key Switch.

**JABF-1B:** (shown above) The Annunciator Flush Box-1B (black) provides for the remote mounting of a single annunciator module in a flush-mount enclosure. Knockouts are provided for use with 1/2" (1.27 cm) conduit. The JABF-1B includes a painted black metal trim plate [11" (27.94 cm) high x 6.25" (15.875 cm) wide], mounting hardware, and an adhesive-backed annunciator label for the dress plate. 9.938" (25.24 cm) high x 4.625" (11.75 cm) wide x 2.5" (6.35 cm) deep.

**JABF-2B:** The Annunciator Flush Box-2B (black) provides for the flush mounting of two annunciator modules. Includes a painted black metal trim plate [11" (27.94 cm) high x 10.625"

(26.99 cm) wide] and adhesive-backed annunciator label. 9.938" (25.24 cm) high x 9.188" (23.34 cm) wide x 3.75" (9.525 cm) deep.

**JABF-4B:** (shown below) The Annunciator Flush Box-4B (black) provides for the remote mounting of one to four annunciator modules. Knockouts are provided for use with 1/2" (1.27 cm) conduit. The flush-mounted JABF-4B includes a painted black metal trim plate [11" (27.94 cm) high x 19.375" (49.21 cm) wide] and an annunciator label. 9.938" (25.24 cm) high x 17.75" (45.09 cm) wide x 2.5" (6.35 cm) deep.



**JABF-1DB, ABF-2DB, JABS-4D:** The JABF-1DB, ABF-2DB and JABS-4D are semi-flush-mount backboxes for ACS Series Annunciators. The JABF-1DB mounts one annunciator module and the ABF-2DB mounts two modules or one JNCA(-2). The JABS-4D mounts up to four annunciators *or* two annunciators with an NCA. Black with an attractive smoked glass door with a keylock. The JABS-4D is hinged on the bottom for stability.

**DIMENSIONS, JABF-1DB: Box only:** 9.938" (25.24 cm) high x 4.625" (11.75 cm) wide x 2.5" (6.35 cm) deep.

**Door:** 11" (27.94 cm) high x 6" (15.24 cm) wide x 0.75" (1.9 cm) deep.

**DIMENSIONS, ABF-2DB: Box only:** 9.938" (25.24 cm) high x 9.188" (23.34 cm) wide x 3.75" (9.525 cm) deep. **Door:** 11" (27.94 cm) high x 10.375" (26.35 cm) wide x 0.75" (1.9 cm) deep.

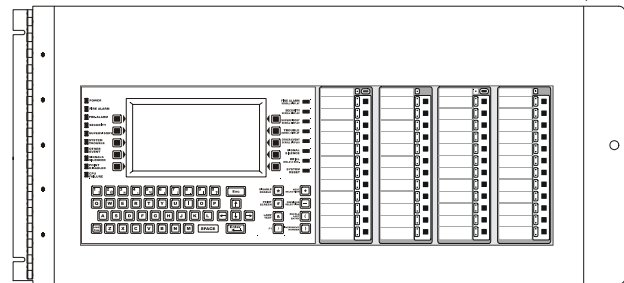
**DIMENSIONS, JABS-4D: Box only:** 11.97" (30.40 cm) high x 19.87" (50.47cm) wide x 3.50" (8.89 cm) deep.

**Door:** 11.97" (30.40 cm) high x 19.87" (50.47 cm) wide x 1.25" (3.18 cm) deep.

**ADP-4B:** The Annunciator Dress Panel-4B (black) provides for the cabinet mounting of one to four modules. The ADP-4B hinge-mounts to a CAB-4 Series cabinet. Modules mount directly to threaded studs on the JADP-4B.

**DP-DISP:** The Dress Panel-Display provides for the cabinet mounting of one to four modules in the *top row* of a CAB-4 Series backbox. Modules mount directly to threaded studs on the DP-DISP (see illustration below).

6858disp.wmf



**DP-DISP Dress Panel with JNCA**  
Network Control Annunciator in left two positions,  
and two ACM-24AT Annunciators at right.

**BMP-1:** Annunciator Blank Module is a flat black dress plate that covers unused module positions in the annunciator backbox or in the JADP-4B. 8.375" (21.27 cm) high x 4.375" (11.11 cm) wide. Studs for a variety of module mounting options are available.

**JAKS-1B:** The Annunciator Key Switch-1B (black) provides access security for the control switches on the ACM/AEM-24AT. The key switch kit includes a key and hardware for mounting to the JABF-1B. Also included is an adhesive-backed annunciator label for use with the key switch/dress plate assembly. **NOTE: The JAKS-1B can only be employed with the JABS-1TB.**

## Agency Listings and Approvals

The listings and approvals below apply to the ACM/AEM-24AT and the ACM/AEM-48A. In some cases, certain modules or applications may not be listed by certain approval agencies, or listing may be in process. Consult factory for latest listing status.

*Additional listings relating to recent product or applications to be released shortly.*

- **UL** Listed: file S635.
- **ULC** Listed: file CS118.
- **MEA** approved: files 317-01-E, Vol. 2 (IFC-640), 345-02-E, Vol. 2 (IFC-3030).
- **CSFM** approved: files 7165-0554:143 (IFC-640), 7165-0554:149 (IFC2-3030), 7170-0554:142 (IFC-640), 7165-0554:153 (IFC-630/320).
- **FM** approved.
- **FDNY:** COA #6010.

---

©2009. All rights reserved. Unauthorized use of this document is strictly prohibited.

---

This document is not intended to be used for installation purposes.  
We try to keep our product information up-to-date and accurate.  
We cannot cover all specific applications or anticipate all requirements.  
All specifications are subject to change without notice.



Johnson Controls  
507 East Michigan Street, Milwaukee, WI 53202 • [www.johnsoncontrols.com](http://www.johnsoncontrols.com)