

**DESCRIPTION:**

Wheelock's Weatherproof Strobe, Audible Strobe, Audible Horn and Multitone Strobe appliances have an **extended temperature range of -31°F to 150°F (-35°C to 66°C)** that will satisfy virtually all outdoor, severe environment wall and ceiling applications. All strobes are Indoor/Outdoor UL Standard 1638 Listed and rated for 180 candela on axis @ 77°F (25°C) and 75 candela at -31°F (35°C) with low current draw.

The Wheelock Weatherproof Appliances are designed for maximum performance, reliability, and cost effectiveness while meeting or exceeding the latest requirements of NFPA 72 (*National Fire Alarm Code*), UL Standard 1638 (Standard for Visual Signaling Appliances), and UL Standard 464 (Standard for Audible Signaling Appliances).

Series RSSWP Strobes, Series ASWP Audible Strobes and Series AHWP Audibles may be synchronized when used in conjunction with the Wheelock SM and DSM Sync Modules or the PS-12/24-8CP and PS-12/24-8MP Power Supplies with Patented Sync Protocol. The Series MTWP is a true 4-wire appliance. The strobe portion can be synchronized as stated above. The multitone portion cannot, but it can be connected to a coded fire alarm system.

**Weatherproof Strobe Series RSSWP**

Is UL Standard 1638 approved for **Indoor/Outdoor** use. The appliances use a Xenon flashtube with solid state circuitry enclosed in a rugged Lexan® lens to provide maximum visibility and reliability for effective visual signaling. The Series RSSWP mounts to a Series WPSBB Weatherproof Backbox.

**Weatherproof Audible Strobe and Audible Series ASWP and AHWP**

Is UL Standard 1638 and UL Standard 464 approved for **Indoor/Outdoor** use and offer a field selectable choice of continuous horn or temporal pattern (Code 3) when constant voltage from the Fire Alarm Control Panel (FACP) is applied. Additionally, the audible has three (3) selectable dBA settings of 99, 95, and 90 dBA in both tones and, when synchronized, may be silenced while maintaining strobe activation. The Series ASWP mounts to a WPBB Weatherproof Backbox while the Series AH mounts to a WBB Weatherproof Backbox.

**Weatherproof Multitone Strobe and Multitone Horn Series MTWP and MT-12/24**

Is UL Standard 1638 and UL Standard 464 approved for **Indoor/Outdoor** use and offers a field selectable choice of 8 nationally and internationally recognized alerting signals. Additionally, the audible has 2 installer selectable sound output levels: Standard and high covering a range (depending on selected signal) of 76-94 dBA reverberant. The Series MTWP is a true 4 wire appliance. The Strobe portion can be synchronized or non-synchronized. The multitone (audible) portion cannot be synchronized, but it can be connected to a coded fire alarm system. The Series MTWP and the MT-12/24 mount to a series IOB Backbox.

**SERIES RSSWP, ASWP, AHWP, MTWP and MT-12/24 WEATHERPROOF STROBE WEATHERPROOF AUDIBLE STROBE AND WEATHERPROOF AUDIBLES**

**Wall Mount**



**Ceiling Mount**



(Series MTWP Ceiling Mount not shown)

**Features**

- Approvals include: UL Standard 1638 and 464, California State Fire Marshal (CSFM) and New York City (MEA), Factory Mutual (FM) and Chicago (BFP) See approvals by model in Table 8
- Designed to meet or exceed NFPA, /UFC/ANSI 117.1/ OSHA Part 29, 1910.165, and ADA requirements
- UL Standard 1638 and UL Standard 464 listed with extended temperature range of -31° to 150°F (-35°C to 66°C)
- 24 VDC with new UL "Regulated" Voltage Range: of 16-33 VDC using filtered DC or unfiltered FWR voltage Note: The Series MT-12/24 voltage range is 10.5 - 15.6 VDC (for 12V) and 20-31 VDC (for 24V)
- Sync/Non-Sync in each product. Note: The audible portion of the Series MTWP and MT-12/24 is non sync only
- Synchronize with Series SM, DSM Sync Modules or PS-12/24-8CP and PS-12/24-8MP Power Supplies with built-in patented sync protocol
- Selectable dBA settings
- Selectable alert signals
- IN and OUT wiring termination that accepts two #12-18 AWG wires at each terminal
- Inputs are polarized for compatibility with industry standard reverse polarity supervision

NOTE: All CAUTIONS and WARNINGS are identified by the symbol **▲** All WARNINGS are printed in bold capital letters.

**▲WARNING: PLEASE READ THESE SPECIFICATIONS AND ASSOCIATED INSTALLATION INSTRUCTIONS CAREFULLY BEFORE USING, SPECIFYING OR APPLYING THIS PRODUCT. FAILURE TO COMPLY WITH ANY OF THESE INSTRUCTIONS, CAUTIONS, OR WARNINGS COULD RESULT IN IMPROPER APPLICATION, INSTALLATION, AND/OR OPERATION OF THESE PRODUCTS IN AN EMERGENCY SITUATION, WHICH COULD RESULT IN PROPERTY DAMAGE, AND SERIOUS INJURY OR DEATH TO YOU AND/OR OTHERS.**

**General Notes:**

- Wheelock UL Standard 1638 Strobes are designed to produce 30-62 flashes per minute over the Regulated Voltage Range. If used in an indoor application, UL Standard 1638 strobes must be operated at a minimum of 20 VDC to meet the NFPA-72 flash rate of 1 to 2 flashes per second and ADA Guideline flash rate of 1 to 3 flashes per second.
- Wheelock Weatherproof Appliances are designed to operate over an extended temperature range of -31°F to 150°F (-35°C to 66°C) and all candela ratings represent minimum effective strobe intensity based on UL Standard 1638. Maximum humidity of 93% RH ±2%.
- **“Regulated Voltage Range” is the newest terminology used by UL to identify the voltage range. Prior to this change, UL used the terminology “Listed Voltage Range”.**

**▲WARNING: CONTACT WHELOCK FOR THE CURRENT “INSTALLATION INSTRUCTIONS” AND “GENERAL INFORMATION” SHEET (P82380) ON THESE PRODUCTS. THE INSTALLATION INSTRUCTIONS ARE AS FOLLOWS: P84135 FOR SERIES RSSWP, P83957 FOR SERIES ASWP, P83641 FOR SERIES AH-WP, P84150 FOR SERIES MTWP AND P824671 FOR SERIES MT-12/24-R. THESE DOCUMENTS UNDERGO PERIODIC CHANGES. IT IS IMPORTANT THAT YOU HAVE CURRENT INFORMATION ON THESE PRODUCTS. THESE MATERIALS CONTAIN IMPORTANT INFORMATION THAT SHOULD BE READ PRIOR TO SPECIFYING OR INSTALLING THESE PRODUCTS, INCLUDING:**

- Total current required by all appliances connected to system secondary power sources.
- Fuse ratings on notification appliance circuits to handle peak currents from all appliances on those circuits.
- Adding, replacing or changing appliances will effect current draw. Recalculate current draw to insure that the total average current and total peak required by all appliances does not exceed the rated capacity of the power source or fuses.
- Composite flash rate from multiple strobes within a person’s field of view.
- The voltage applied to these products must be within their “REGULATED VOLTAGE RANGE”.
- Use strobe only on circuits with continuously applied operating voltage. Do not use strobes on coded or interrupted circuits in which the applied voltage is cycled on and off as the strobe may not flash.
- Conductor size (AWG), length and ampacity should be taken into consideration prior to design and installation of these products, particularly in retrofit installations.

Strobe 75 cd @ -31°F (-35°C)	Regulated Voltage Range	Avg. Current *	
		24.0 VDC	UL Max*
RSSWP	16.0 - 33.0 VDC	0.094	0.138

Voltage	High dBA Setting (99) dBA	Medium dBA Setting (95) dBA	Low dBA Setting (90) dBA
24.0 VDC	0.128	0.105	0.098
UL Max*	0.168	0.155	0.150

#Audible and Visual combined.

Voltage	AH-24WP	Voltage	AH-12WP
AH-24WP	Hi/Med/Low	AH-12WP	Hi/Med/Low
24.0 VDC	0.062/0.033/0.017	12.0 VDC	0.163/0.076/0.039
UL Max*	0.080/0.043/0.021	UL Max*	0.192/0.108/0.058

Description	Volume	Reverberant dBA Per UL 464 @ 10 ft.	Anechoic dBA @ 10 ft.
		24 VDC	24 VDC
Continuous Horn	High	91	99
	Med	88	95
	Low	82	90
Code 3 Horn	High	85	99
	Med	82	95
	Low	75	90

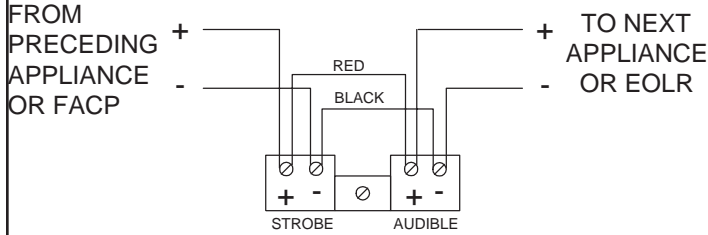
\* RMS current ratings are per UL average RMS method. UL max current rating is the maximum RMS current within the listed voltage range (16-33v for 24v units). For strobes the UL max current is usually at the minimum listed voltage (16v for 24v units). For audibles the max current is usually at the maximum listed voltage (33v for 24v units). For unfiltered FWR ratings, see installation instructions.

Tone	Audible				Strobe	
	24.0 VDC		UL Max*		24.0 VDC	UL Max*
	Standard	High	Standard	High		
Horn	0.033	0.074	0.044	0.108	0.094	0.138
Bell	0.018	0.040	0.024	0.053		
March Time	0.033	0.067	0.038	0.104		
Code 3 Horn	0.026	0.069	0.035	0.091		
Code 3 Tone	0.026	0.061	0.035	0.075		
Slow Whoop	0.028	0.069	0.037	0.098		
Siren	0.027	0.080	0.036	0.104		
Hi/Lo	0.020	0.044	0.026	0.057		

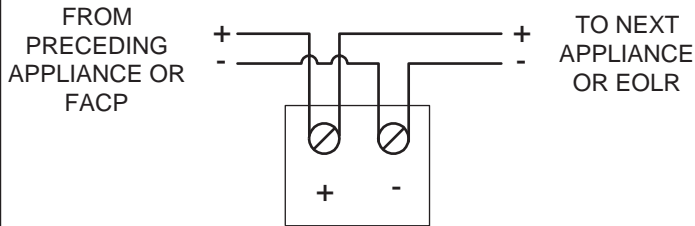
Tone	Standard	MTWP			MT-12/24			
	High Setting	16.0 VDC	24.0 VDC	33.0 VDC	20.0 VDC	24.0 VDC	10.5 VDC	12.0 VDC
Horn	Standard	84	87	90	82	85	82	85
	High Setting	89	92	94	88	91	88	91
Bell	Standard	76	80	83	75	79	75	79
	High Setting	83	86	88	82	85	82	85
March Time	Standard	80	84	87	79	82	79	82
	High Setting	86	89	91	85	88	85	88
Code 3 Horn	Standard	79	83	86	75	79	75	79
	High Setting	85	88	90	85	85	85	85
Code 3 Tone	Standard	76	80	82	75	75	75	75
	High Setting	81	85	86	79	82	79	82
Slow Whoop	Standard	81	85	87	82	82	82	82
	High Setting	87	90	92	88	88	88	88
Siren	Standard	81	84	87	82	82	82	82
	High Setting	86	89	92	85	88	85	88
Hi/Lo	Standard	77	81	84	79	79	79	79
	High Setting	83	86	89	82	85	82	85

## Wiring Diagrams

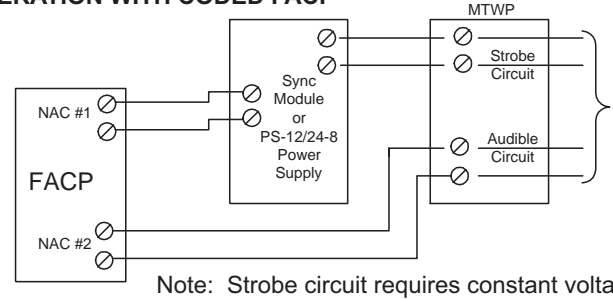
**SERIES MTWP AUDIBLE APPLIANCE AND STROBE OPERATE IN UNISON. RED AND BLACK SHUNT-WIRES ARE SUPPLIED.**



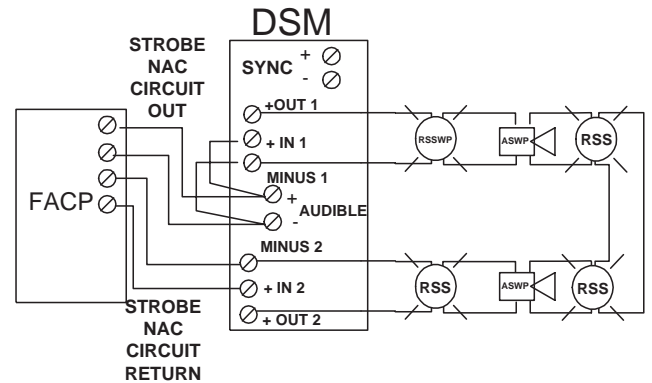
**SERIES RSSWP, ASWP, AHWP, MTWP AND MT-12/24 APPLIANCES**



**SERIES MTWP APPLIANCES SYNCHRONIZED STROBE OPERATION WITH CODED FACP**



**SERIES RSSWP/ASWP APPLIANCES SYNCHRONIZED W/ DSM MODULE SINGLE CLASS "A" NAC CIRCUIT**



Model Number	Order Code	Strobe cd @ 77°F (25°C)	Strobe cd @ -31°F (-35°C)	dBA	Input Voltage	Outdoor Mounting Options#	Back Box & Order Code	Agency Approvals					
								UL	MEA	CSFM	FM	BFP	
<b>Strobe</b>													
RSSWP-2475W-FR	9013	180cd	75cd	-	24 VDC	T	WPSBB-R (9751)	X	X	X	X	*	
RSSWP-2475W-FW	3034	180cd	75cd	-	24 VDC	T	WPSBB-W (3033)	X	X	X	X	*	
RSSWP-2475C-FR	4338	180cd	75cd	-	24 VDC	T	WPSBB-R (9751)	X	X	X	X	*	
RSSWP-2475C-FW	4446	180cd	75cd	-	24 VDC	T	WPSBB-W (3033)	X	X	X	X	*	
<b>Audible Strobe</b>													
ASWP-2475W-FR	9012	180cd	75cd	90/95/99	24 VDC	I	WPBB-R (9014)	X	X	X	X	X	
ASWP-2475C-FR	4251	180cd	75cd	90/95/99	24 VDC	I	WPBB-R (9014)	X	X	X	X	X	
<b>Multitone Strobe</b>													
MTWP-2475W-FR	8420	180cd	75cd	76-94	24 VDC	M	IOB-R (5046)	X	X	X	X	*	
MTWP-2475C-FR	4457	180cd	75cd	76-94	24 VDC	M	IOB-R (5046)	X	X	X	X	*	
MTWP-2475C-FW	4458	180cd	75cd	76-94	24 VDC	M	IOB-W (5047)	X	X	X	X	*	
<b>Horns/Audibles</b>													
AH-24WP-R	7416	N/A	N/A	90/95/99	24 VDC	K	WBB-R (2959)	X	X	X	-	X	
AH-12WP-R	7415	N/A	N/A	90/95/99	12 VDC	K	WBB-R (2959)	X	X	X	-	X	
MT-12/24-R	5023	N/A	N/A	76-94	12/24 VDC	M	IOB-R (5046)	X	X	X	X	X	
<b>Speaker Strobe</b>													
ET70WP-2475W-FR	9077	180cd	75cd	77-93	24 VDC	M	IOB-R (5046)	X	X	X	*	*	
ET70WP-2475C-FR	4452	180cd	75cd	77-93	24 VDC	M	IOB-R (5046)	X	X	X	*	*	
ET70WP-2475C-FW	4454	180cd	75cd	77-93	24 VDC	M	IOB-W (5047)	X	X	X	*	*	

For more information on the ET70WP Appliance, see Specification Sheet S9006.

## ARCHITECTS AND ENGINEERS SPECIFICATIONS

The Weatherproof Strobe appliances shall be Wheelock Series RSSWP-2475 strobes or approved equals for wall and ceiling mount applications. The Series RSSWP shall meet and be listed for UL Standard 1638 (Standard for Visual Signaling Appliances) for Indoor/Outdoor use. The strobe appliances shall produce a flash rate of 30-62 flashes per minute over the Regulated Voltage Range of 16 to 33 VDC and shall incorporate a Xenon flashtube enclosed in a rugged Lexan® lens. The strobe shall be rated at 75cd and shall operate over an extended temperature range of -31°F to 150°F (-35°C to 66°C). All inputs shall be polarized for compatibility with standard reverse polarity supervision of circuit wiring by a Fire Alarm Control Panel. When synchronization is required, the appliances shall be compatible with the Wheelock Series SM and DSM Sync Modules or the Wheelock PS-12/24-8MP Power Supply with built-in, patented sync protocol. The strobes shall not drift out of synchronization at any time during operation. If the sync module fails to operate, (i.e., contacts remain closed), the strobe shall revert to a non-synchronized flash rate. The Series RSSWP shall be mounted only to the WPSBB-R Backbox.

The Weatherproof Audible Strobe and Audible appliances shall be Wheelock Series ASWP-2475 Audible Strobes for wall and ceiling mount applications and Wheelock Series AHWP Audible Horns for wall mount or approved equals. The Series ASWP and Series AHWP shall meet and be listed for UL Standard 1638 (Standard for Visual Signaling Appliances) for Indoor/Outdoor use. The strobe appliances shall produce a flash rate of 30-62 flashes per minute over the Regulated Voltage Range of 16 to 33 VDC and shall incorporate a Xenon flashtube enclosed in a rugged Lexan® lens. The strobe shall be rated 180cd @ 77°F (25°C) and 75cd at -31°F (-35°C) and shall operate over an extended temperature range at -31°F to 150°F (-35°C to 66°C) and be listed for maximum humidity at 95% RH. All inputs shall be polarized for compatibility with standard reverse polarity supervision of circuit wiring by a Fire Alarm Control Panel (FACP). The Series ASWP shall be mounted only to the WPBB-R Backbox while the Series AHWP shall only be mounted to the WBB-R Backbox.

The weatherproof audible strobe appliances shall be designed for two-wire operation and shall provide either a continuous or temporal (Code 3) tone when constant voltage from a Notification Appliance Circuit (NAC) of the Fire Alarm Control Panel (FACP) is applied. They shall be designed so that the audible signal may be silenced while maintaining strobe activation. When synchronization is required, the appliances shall be compatible with the Wheelock Series SM and DSM Sync Modules or the Wheelock PS-12/24-8MP Power Supply with built-in, patented sync protocol. The strobes shall not drift out of synchronization at any time during operation. If the sync fails to operate, (i.e., contacts remain closed), the strobe shall revert to a non-synchronized flash rate.

The Weatherproof Multitone Strobe and Multitone Audible appliances shall be a Wheelock Series MTWP and MT-12/24 or equivalent. The Series MTWP shall meet and be listed for UL Standard 1638 (Standard for Visual Signaling Appliances) for indoor/outdoor use. The strobe portion of the appliance shall produce a flash rate of 30-62 flashes per minute over the listed voltage range of 20-31 VDC and shall incorporate a Xenon flash tube enclosed in a rugged Lexan® lens. The strobe shall be rated 180cd @ 77°F (25°C) and 75cd at -31°F (-35°C) and shall operate over an extended temperature range at -31°F to 150°F (-35°C to 66°C) and be listed for maximum humidity at 95% RH. All inputs shall be polarized for compatibility with industry standard reverse polarity of circuit wiring by a Fire Alarm Control Panel. The audible portion of the Series MTWP as well as the Series MT-12/24 shall provide eight field selectable alarm signals. The signals shall consist of: Horn, Bell, March Time, Code 3 Horn, Code 3 Tone, Slow Whoop, Siren and Hi/Lo. Tone selection shall be by a durable dip switch assembly. Clips or Jumpers are not acceptable. The appliance shall provide two output sound levels: Standard and High dBA. The range of dBA shall be 75 to 94 dBA. The Series MTWP shall have an operating voltage of 24 VDC (nominal) while the Series MT-12/24 shall operate at either 12 or 24 VDC (nominal) using filtered power or unfiltered power (full wave rectified). Both models shall have provisions for In/Out field wiring using terminals that accept #12 to #18 AWG wiring. When synchronization is required, the Series MTWP shall be compatible with the Series SM and DSM Sync Modules or with the Series PS-12/24-8MP Power Supply with built-in, patented sync protocol. **Note: The Strobe portion of the Series MTWP may be synchronized. The audible portion of the appliance cannot. The audible portion of the appliance can be connected to a coded fire alarm system. The Series MTWP and the Series MT-12/24 shall be mounted only to the IOB-R Backbox.**

Due to continuous development of our products, specifications and offerings are subject to change without notice in accordance with Wheelock Inc. standard terms and conditions.

### WE ENCOURAGE AND SUPPORT NICET CERTIFICATION

**MADE IN THE USA  
3 YEAR WARRANTY**

Distributed By:

**NATIONAL SALES OFFICE**

**800-631-2148**

Canada 800-397-5777

E-Mail: [Info@wheelockinc.com](mailto:Info@wheelockinc.com)

<http://www.wheelockinc.com>



273 BRANCHPORT AVENUE • LONG BRANCH, NJ 07740 • TEL: 732-222-6880 • FAX: 732-222-2588

S9004 02/06