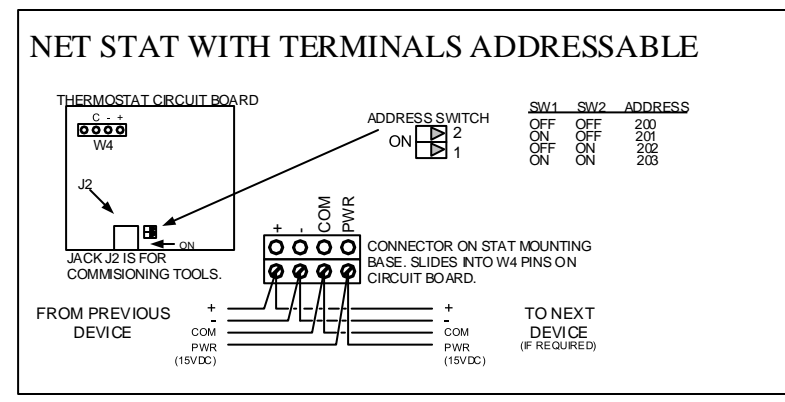
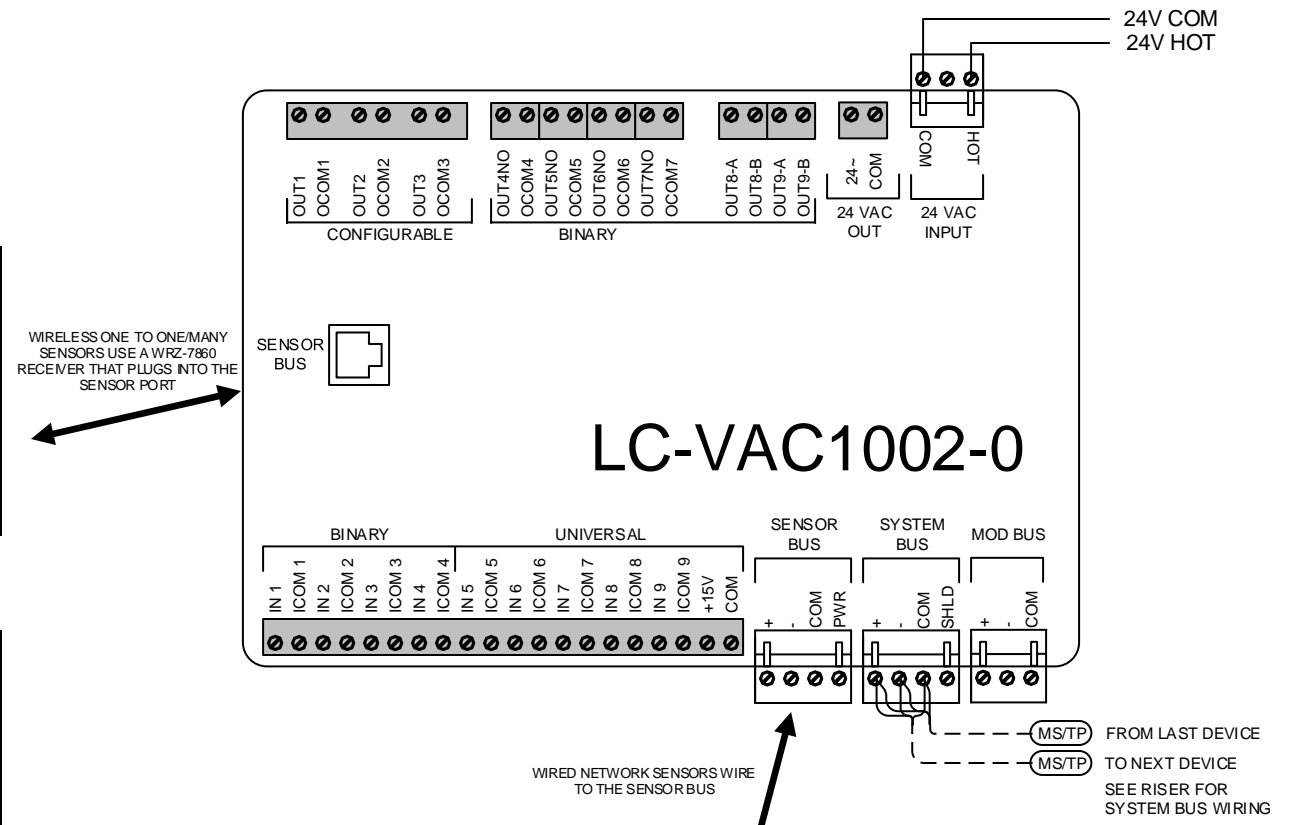
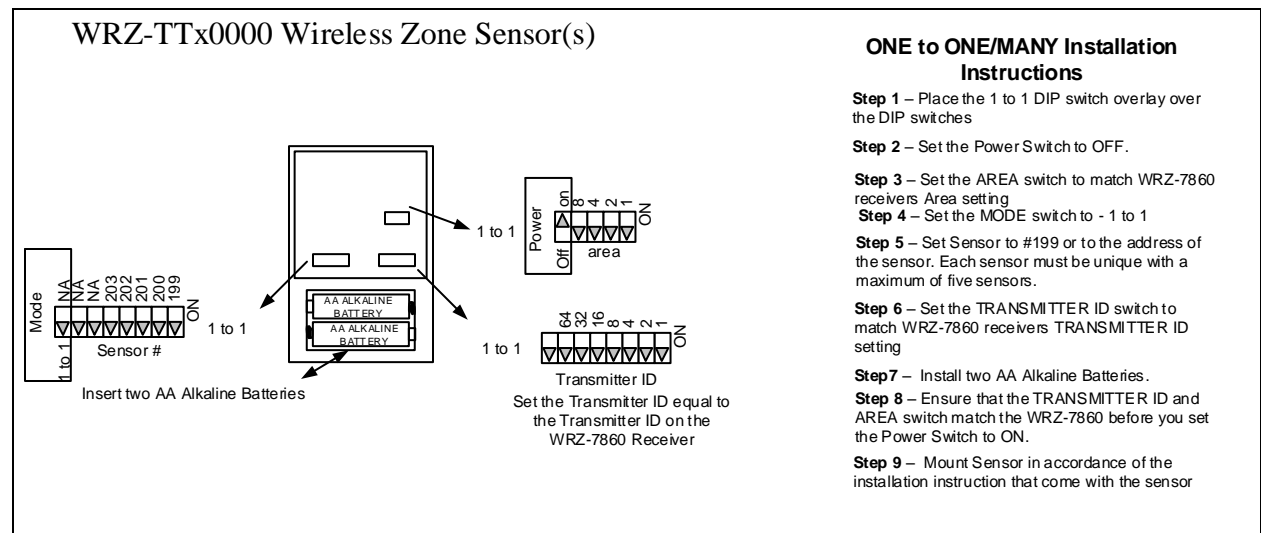
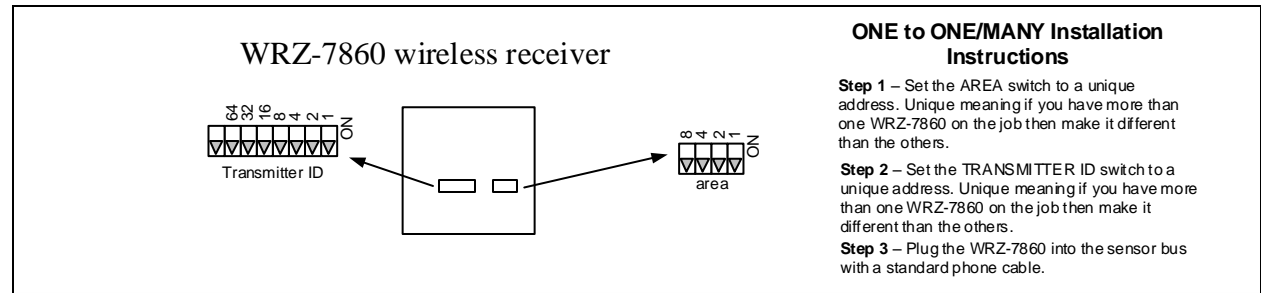


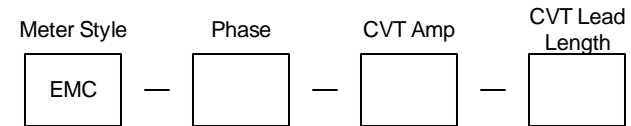
Drawing Title									
<b>Input Output Controller IO wiring</b>		NO.		REVISION-LOCATION		ECN		APPROVED BY	
		Project Manager		DRAWN		DATE		DATE	
Project Title		Sales Engineer		Applicat on Engineer		BY		DATE	
		Branch Information		CONTRACT NUMBER					
								<b>IOM</b>	



Drawing Title									
<b>Input Output Controller Sensor Bus</b>									
Project Title									
REFERENCE DRAWING		NO.		REVISION-LOCATION		ECN		APPROVED BY	
Sales Engineer		Project Manager		Applicat on Engineer		DRAWN		DATE	
BY		DATE		BY		DATE		DATE	
Branch Information		CONTRACT NUMBER		DRAWING NUMBER		IOM			



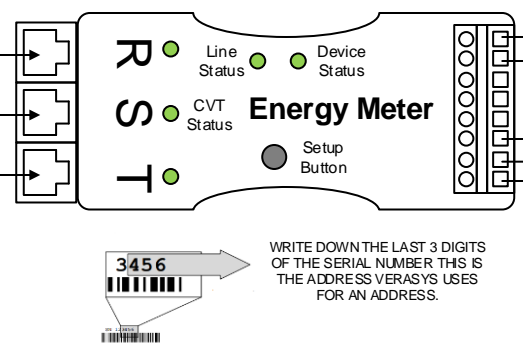
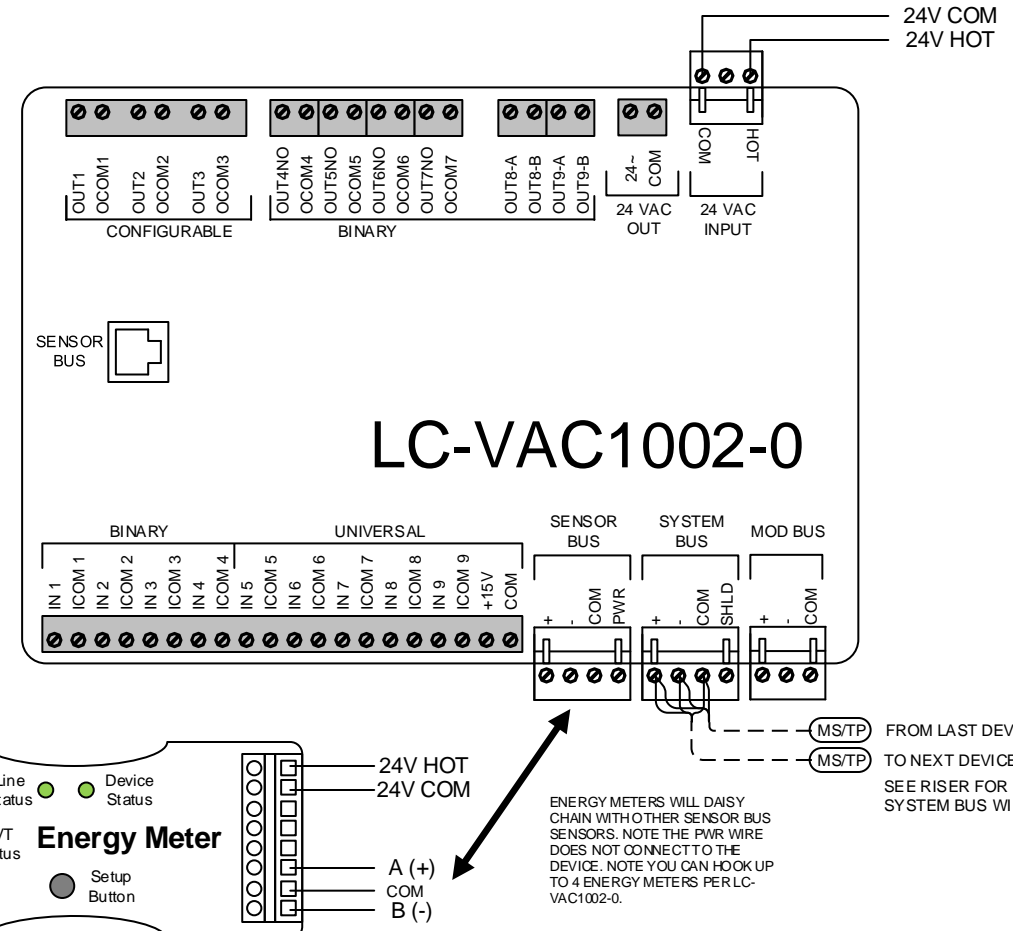
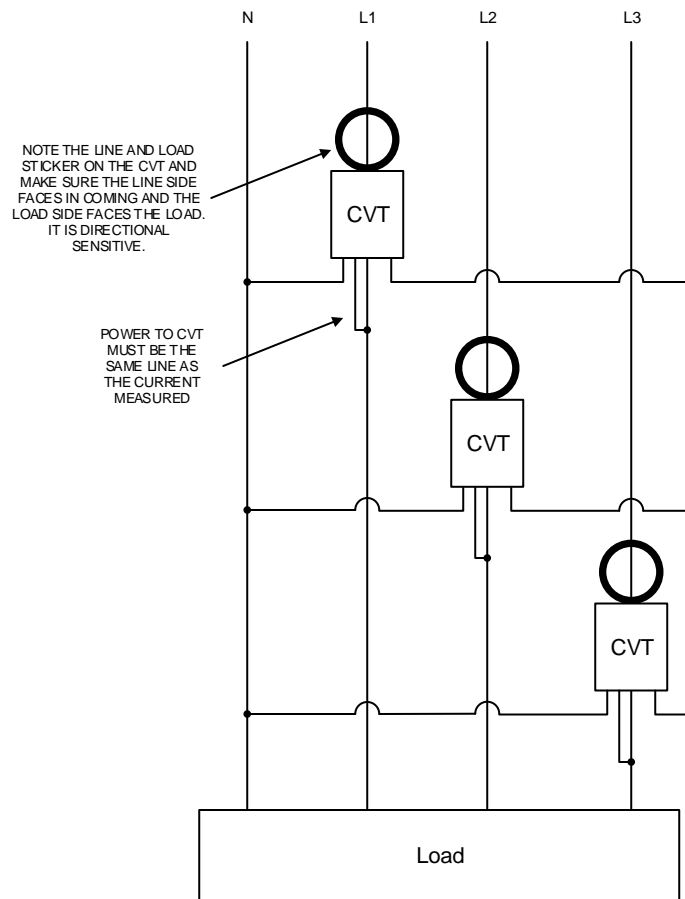
Johnson Controls EM Series Electric Meter with CVT



03N (3 Phase No Fuse)  
02N (2 Phase No Fuse)\*  
\* Valid only for the 03S, 08S, and 08M CVT's below

03S (300 Amp, 9in Circumference loop)  
08S (800 Amp, 9in Circumference loop)  
08M (800 Amp, 15in Circumference loop)  
15S (1500 Amp, 9in Circumference loop)  
15M (1500 Amp, 15in Circumference loop)  
24M (2400 Amp, 15in Circumference loop)  
24L (2400 Amp, 24in Circumference loop)  
24G (6000 Amp, 36in Circumference loop)

03 (3 Feet)  
10 (10 Feet)



Drawing Title									
<b>Input Output Controller Energy Meter</b>									
Project Title									
Sales Engineer		Project Manager		Applicat on Engineer		DRAWN		APPROVED	
BY		DATE		BY		DATE		DATE	
Branch Information		CONTRACT NUMBER		DRAWING NUMBER		IOM			