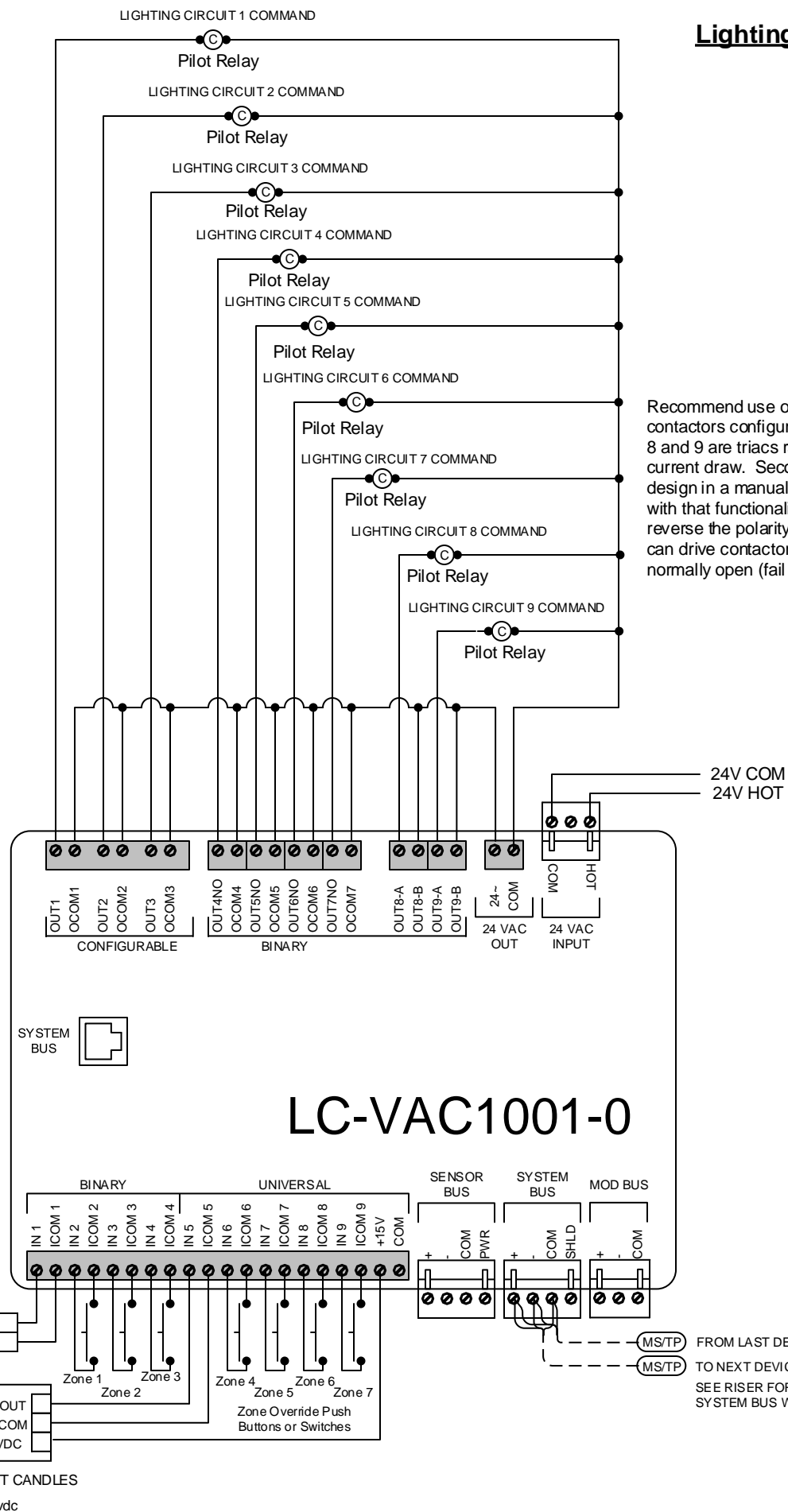
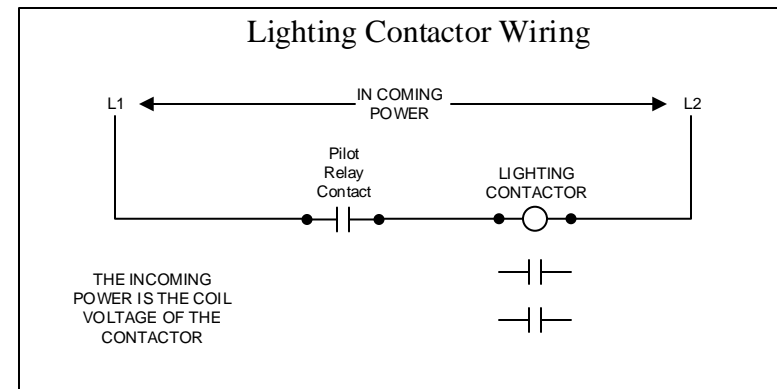


### Lighting Controller



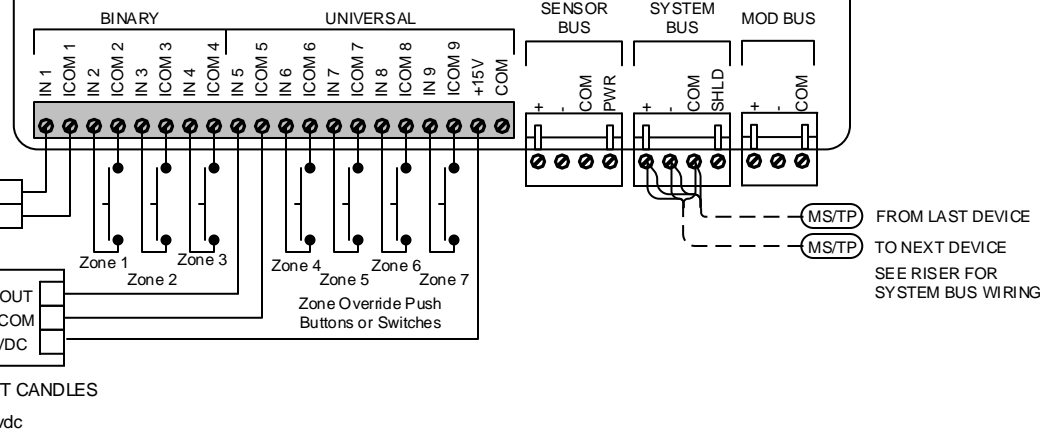
Recommend use of Pilot Relay to drive lighting contactors configurable outputs and binary output 8 and 9 are triacs rated for .5 AMP maximum current draw. Secondly with the pilot relay you can design in a manual override if you select a relay with that functionality. Thru software you can reverse the polarity of the output which means you can drive contactors with contacts that are normally open (fail off) or normally closed (fail on).



**LIGHTING CONTROLLER:** THE VERASYS LIGHTING CONTROLLER ALLOWS THE USER TO SCHEDULE UP TO NINE LIGHTING ZONES THRU THE SMART BUILDING HUB. EACH CIRCUIT CAN BE ASSIGNED TO A ZONE AND EACH ZONE CAN BE SET TO WORK OFF THE SCHEDULE FOR THE ZONE, THE BINARY INPUT, THE LIGHT LEVEL INPUT OR COMBINATION OF ALL THREE TO MAKE UP THE LOGIC ON WHEN THE LIGHTS TURN ON AND OFF. EACH CIRCUIT CAN MANUALLY BE TURNED OFF OR ON THRU THE SMART BUILDING HUB. REFER TO THE LIGHTING CONTROLLER TECHNICAL DOCUMENT FOR ALL OF THE POSSIBILITIES.

BINARY LIGHT LEVEL SENSOR, OVERRIDE SWITCH, OR SECURITY CONTACT (OPTIONAL INPUT)

LIGHT LEVEL SENSOR (OPTIONAL SENSOR)  
Range 0-250 FT CANDLES  
0-10vdc



Drawing Title									
<b>Lighting Controller</b>									
Project Title									
REFERENCE DRAWING		NO.		REVISION-LOCATION		ECN		DATE	
Sales Engineer		Project Manager		Applicant on Engineer		DRAWN		APPROVED	
BY		DATE		BY		DATE		DATE	
Branch Information								CONTRACT NUMBER	
DRAWING NUMBER									
								<b>LIGHT-CTRL</b>	

