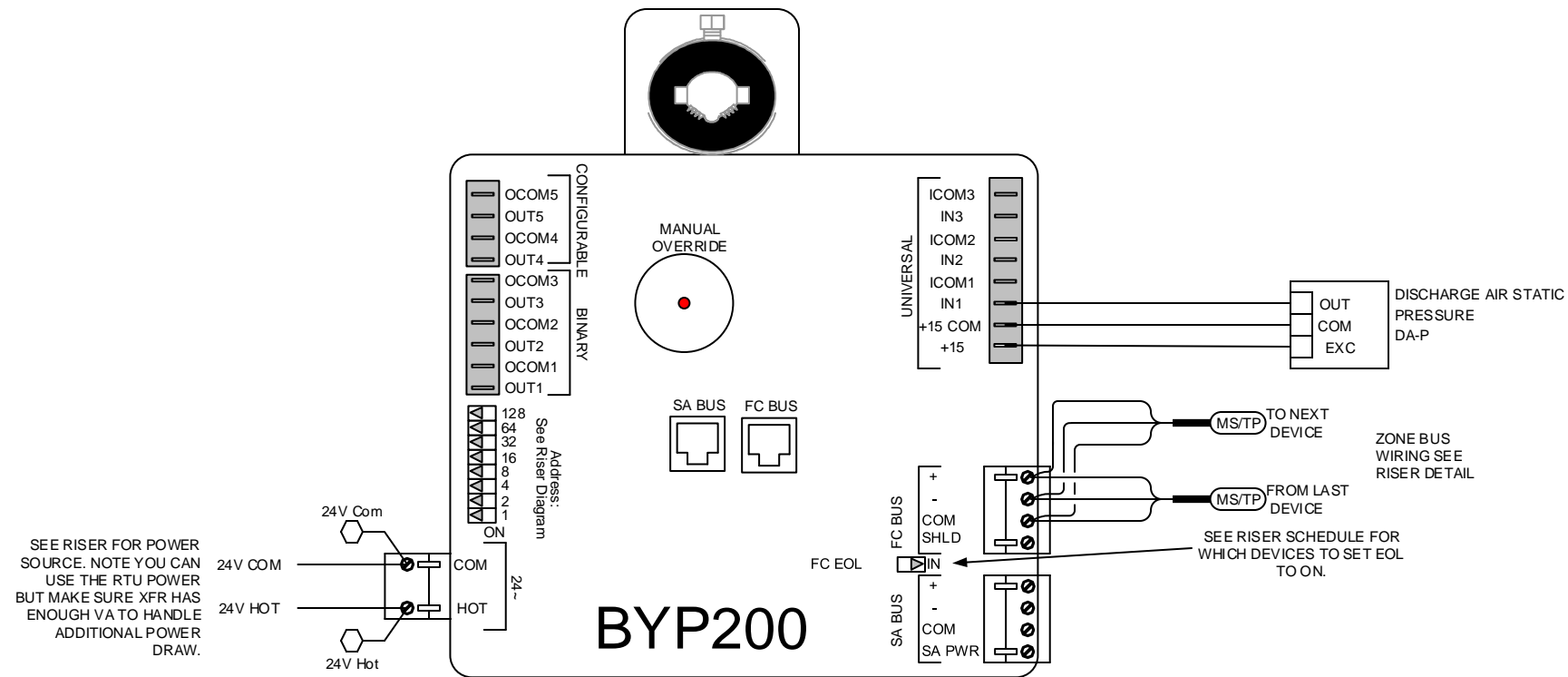
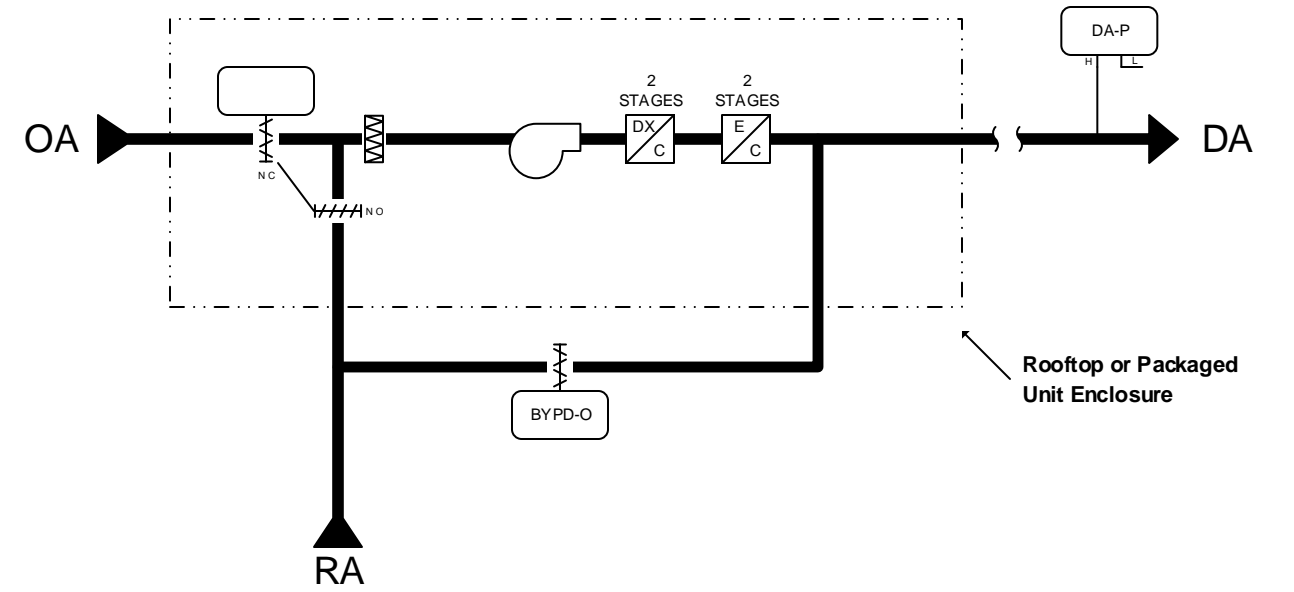


Multizone Unit COBP Bypass Damper Control



OCCUPIED MODE: THE BYPASS DAMPER CONTROLLER WILL MONITOR THE DUCT STATIC PRESSURE. ON A RISE IN STATIC PRESSURE ABOVE SETPOINT, THE BYPASS DAMPER WILL OPEN TO DECREASE PRESSURE. ON A DROP IN STATIC PRESSURE BELOW SETPOINT, THE BYPASS DAMPER WILL MODULATE CLOSED TO INCREASE PRESSURE.

UNOCCUPIED MODE: WHEN THE SINGLE PACKAGED UNIT IS INDEXED OFF, THE BYPASS DAMPER WILL BE INDEXED TO 50%. IF THE SINGLE PACKAGED UNIT IS INDEXED ON, THE BYPASS DAMPER WILL CONTROL AS PER THE OCCUPIED MODE SEQUENCE.

Drawing Title									
MULTIZONE UNIT COBP BYPASS DAMPER CONTROL									
REFERENCE DRAWING		NO.		REVISION-LOCATION		ECN		DATE BY	
Sales Engineer		Project Manager		Applicat on Engineer		DRAWN		APPROVED	
				BY DATE		BY DATE			
Project Title		Branch Information		CONTRACT NUMBER					
		VERASYS				DRAWING NUMBER			
						MZU-BYP			