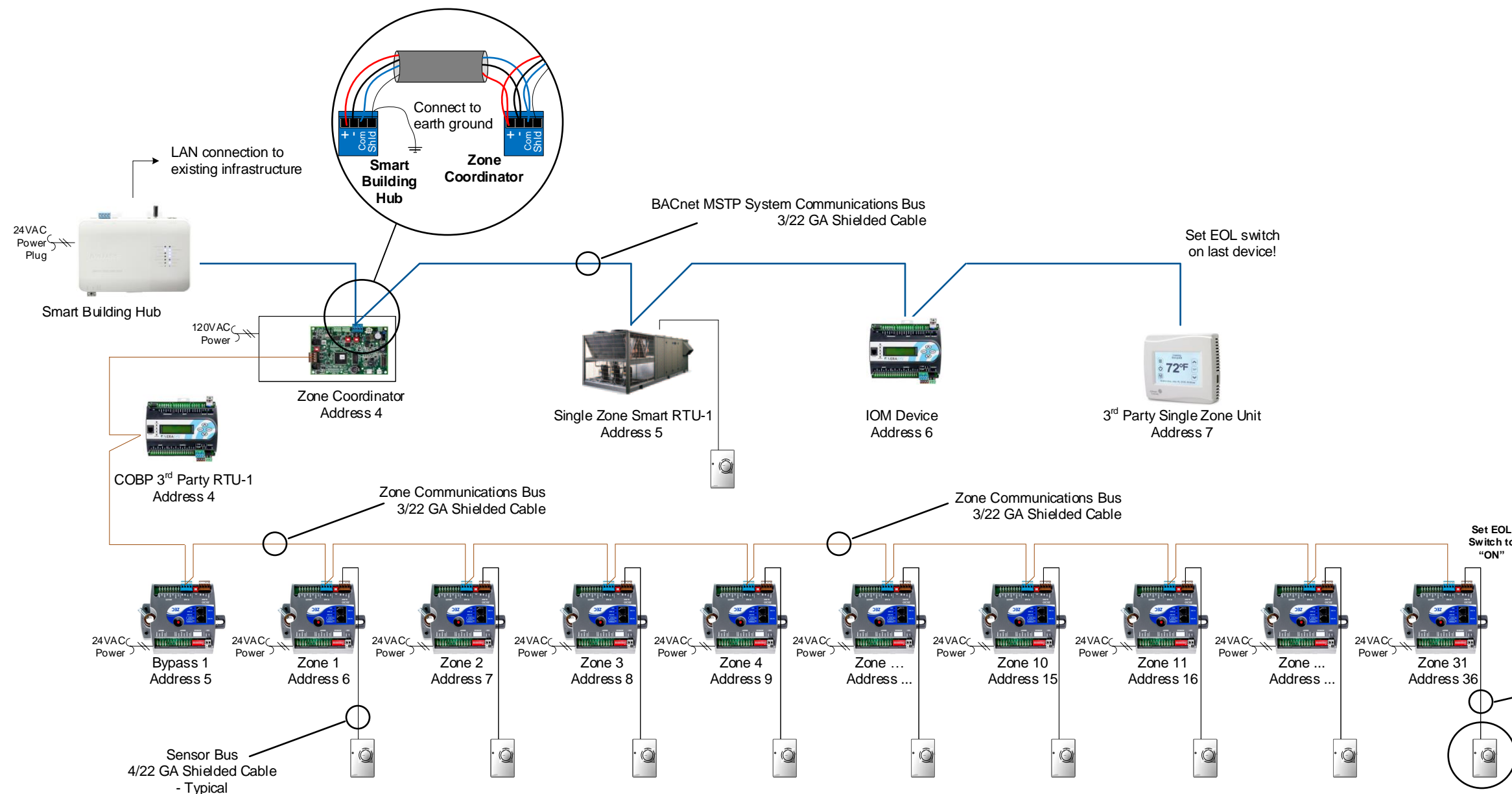


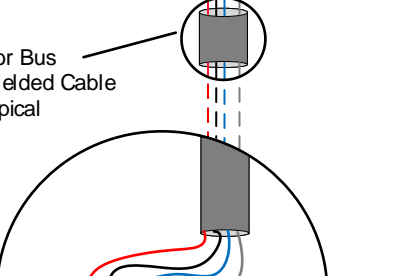
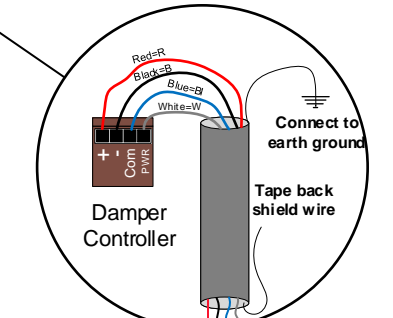
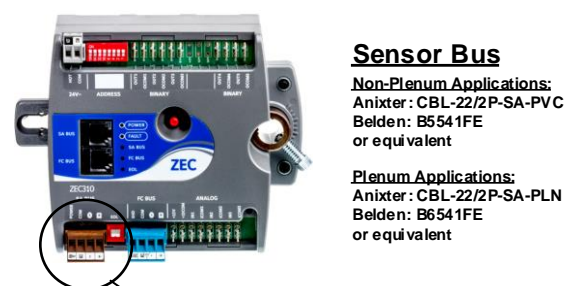
Sample System Riser Diagram



Additional Notes

The system bus and zone bus trunk wiring is shown as a guide.

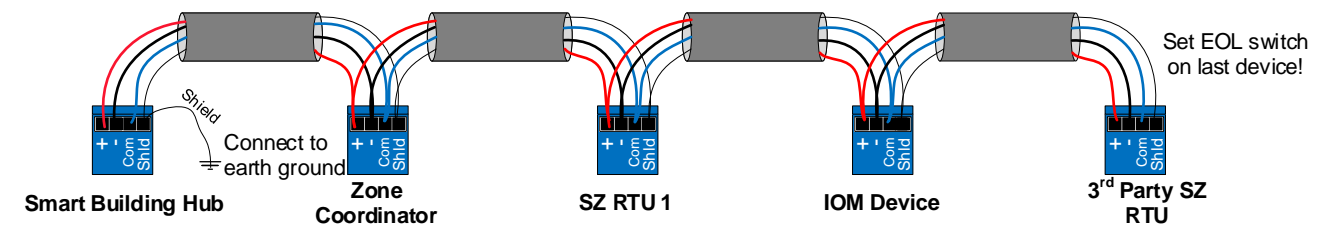
- The controllers on the system bus can be in a different order but you still must follow the rules for end of line (EOL).
- The controllers for the zone bus must go to the appropriate zone coordinator but can in a different order but you still must follow the rules for end of line (EOL).



Note: Zone Sensor locations are per the plans

System Communications Bus

Non-Plenum Applications:
 Anixter: CBL-22/3-FC-PVC
 Belden: B5501FE or equivalent
Plenum Applications:
 Anixter: CBL-22/3-FC-PLN
 Belden: B6501FE or equivalent



Drawing Title									
Communication and Sensor Bus									
Project Title		Branch Information		CONTRACT NUMBER		DRAWING NUMBER		RISER	
VERASYS™									