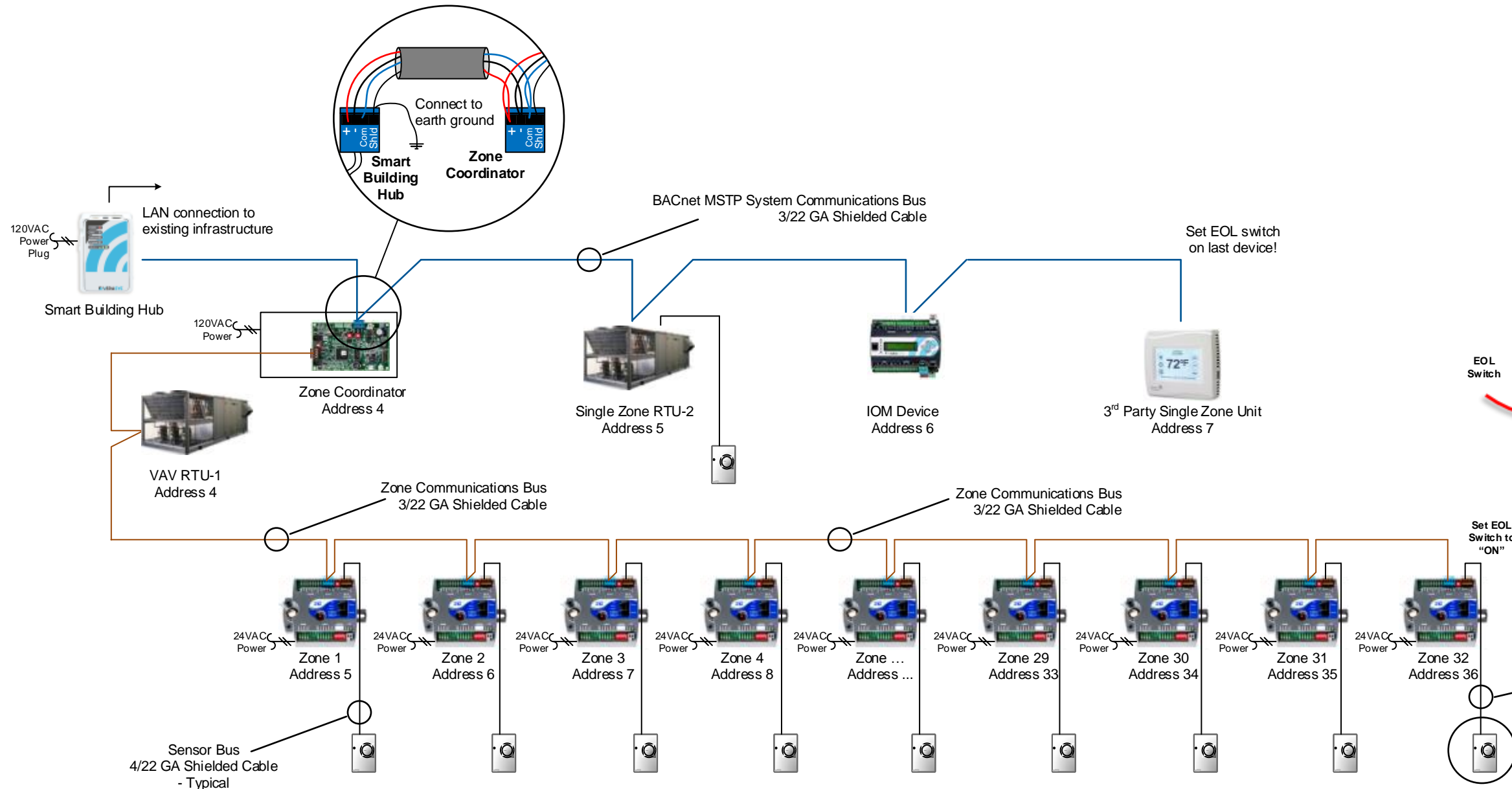


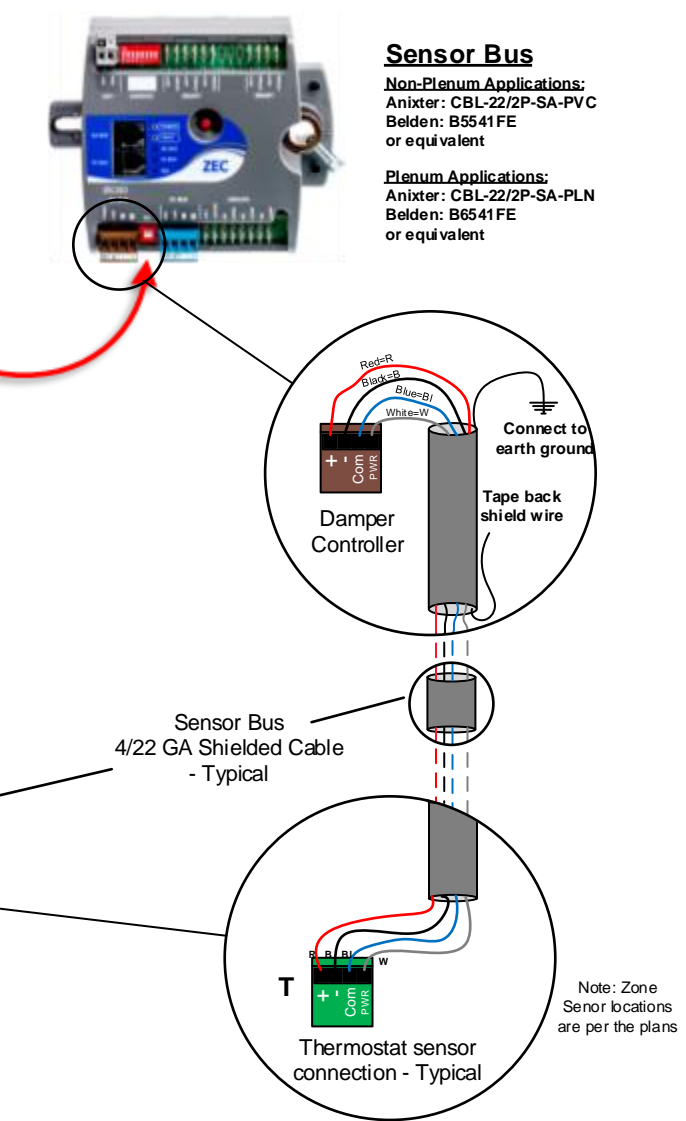
Verasys VAV System Riser Diagram Sample



Additional Notes

The system bus and zone bus trunk wiring is shown as a guide.

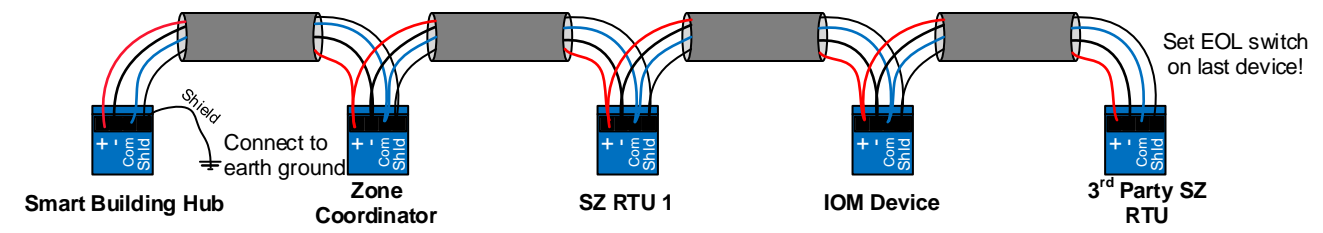
- The controllers on the system bus can be in a different order but you still must follow the rules for end of line (EOL).
- The controllers for the zone bus must go to the appropriate zone coordinator but can in a different order but you still must follow the rules for end of line (EOL).



System Communications Bus

Non-Plenum Applications:
 Anixter: CBL-22/3-FC-PVC
 Belden: B5501FE or equivalent

Plenum Applications:
 Anixter: CBL-22/3-FC-PLN
 Belden: B6501FE or equivalent



Drawing Title									
Communication and Sensor Bus									
Project Title									
Sales Engineer		Project Manager		Applicant on Engineer		DRAWN		APPROVED	
BY		DATE		BY		DATE		BY	
Branch Information		CONTRACT NUMBER		DRAWING NUMBER		RISER			

