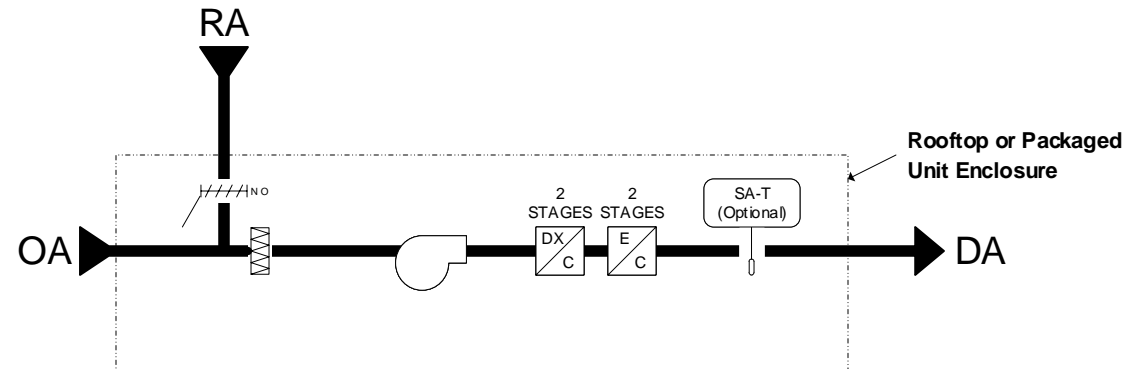
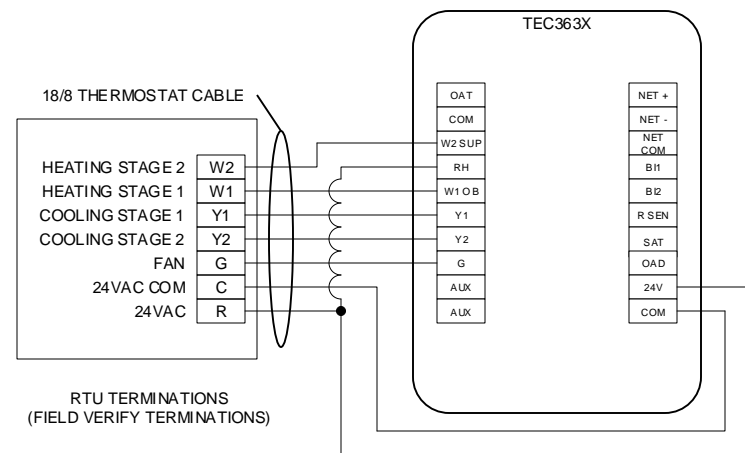


3RD PARTY SINGLE ZONE UNIT – THERMOSTAT ONLY



TEC



SUPPLY FAN CONTROL:

THE CONSTANT SPEED SUPPLY FAN WILL RUN ANY TIME THERE IS A CALL FOR HEATING OR COOLING DURING BOTH OCCUPIED AND UNOCCUPIED STATES.

TEMPERATURE CONTROL:

THE UNIT WILL CONTROL TO MAINTAIN THE ZONE TEMPERATURE SETPOINT AS SENSED BY THE ZONE TEMPERATURE SENSOR.

OCCUPIED MODE:

THE OCCUPANCY MODE WILL BE CONTROLLED VIA ON BOARD SCHEDULE.

COOLING COIL:

THE COOLING COIL WILL BE STAGED IN SEQUENCE TO MAINTAIN THE TEMPERATURE SETPOINT.

REHEAT COIL:

THE REHEAT COIL WILL BE STAGED IN SEQUENCE TO MAINTAIN THE TEMPERATURE SETPOINT.

Drawing Title									
3RD PARTY SINGLE ZONE UNIT									
REFERENCE DRAWING		NO.		REVISION-LOCATION		ECN		DATE	
Sales Engineer	Project Manager	Applied on Engineer		DRAWN		APPROVED			
		BY		DATE		BY		DATE	
Project Title		Branch Information		CONTRACT NUMBER		DRAWING NUMBER			
						TEC-RTU			