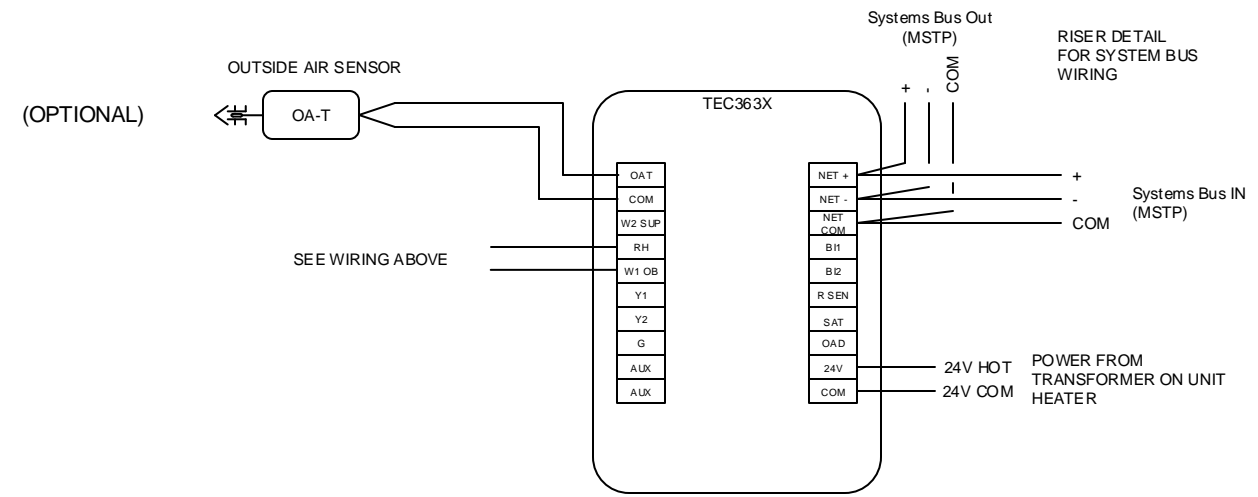
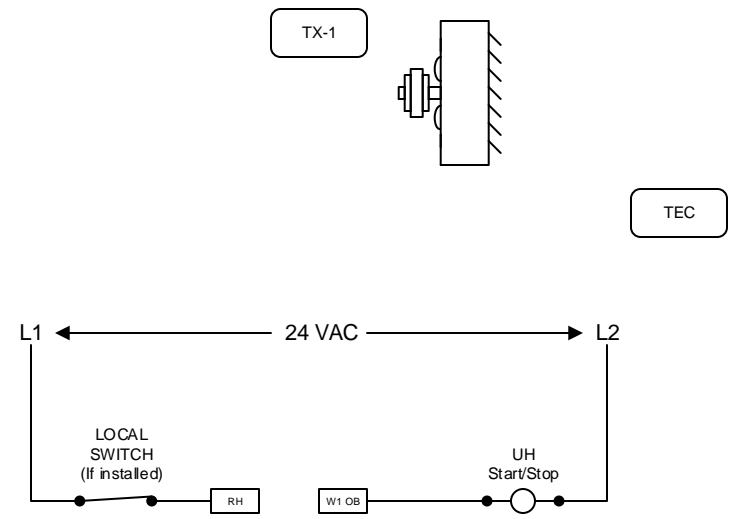


Unit Heater Control



OCCUPIED MODE: DURING THIS MODE THE FAN AND THE ELECTRIC HEATING COIL WILL BE ENERGIZED AS NEEDED TO MAINTAIN ZONE HEATING TEMPERATURE SETPOINT.

UNOCCUPIED MODE: DURING THIS MODE THE FAN AND THE HEATING COIL WILL BE DE-ENERGIZED.

Drawing Title									
UNIT HEATER CONTROLL									
REFERENCE DRAWING		NO.		REVISION-LOCATION		ECN		BY	
Sales Engineer	Project Manager	Application Engineer		DRAWN		APPROVED		BY	
		BY		DATE		BY		DATE	
Project Title		Branch Information		CONTRACT NUMBER					
						DRAWING NUMBER			
								TEC-UH	