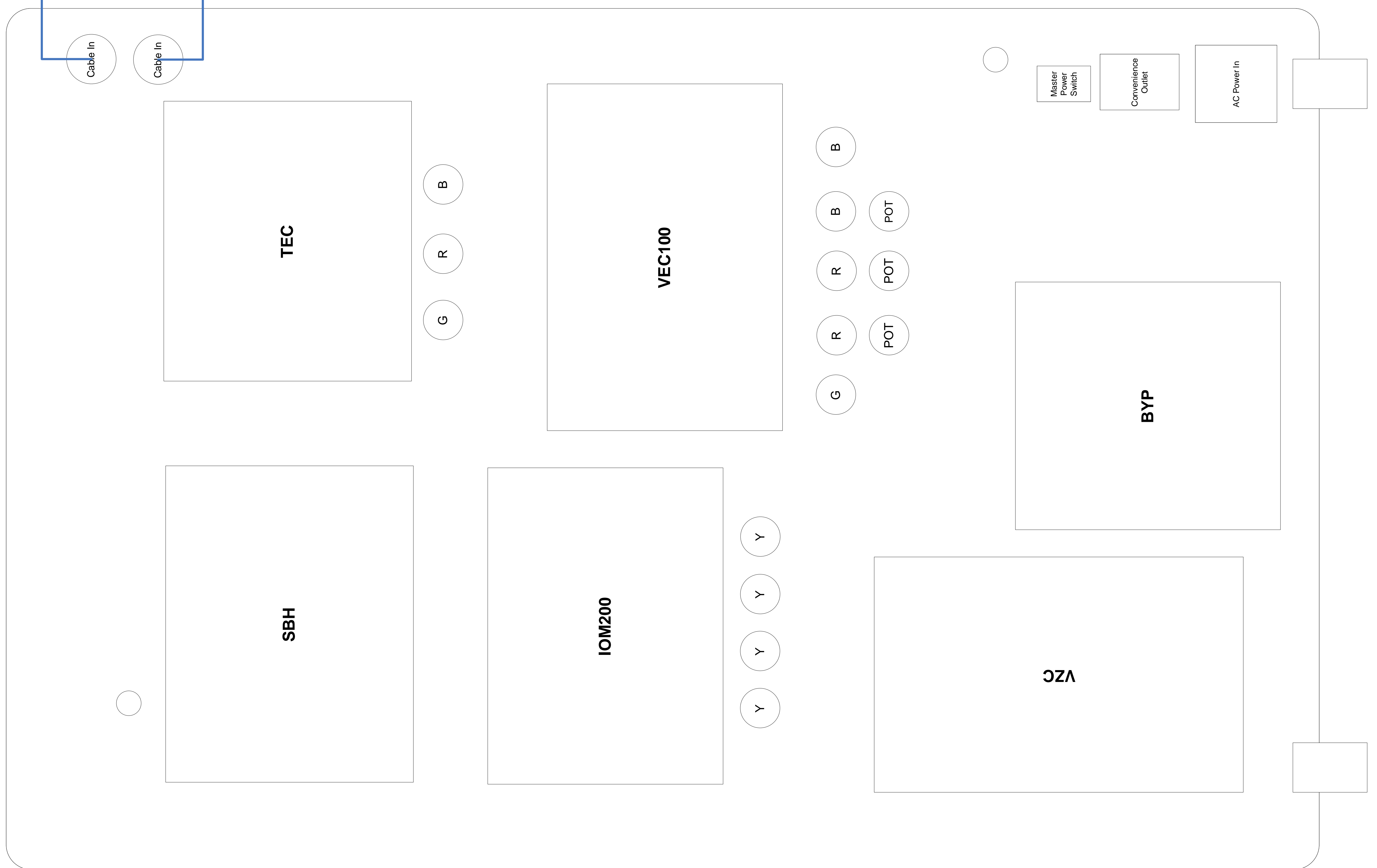
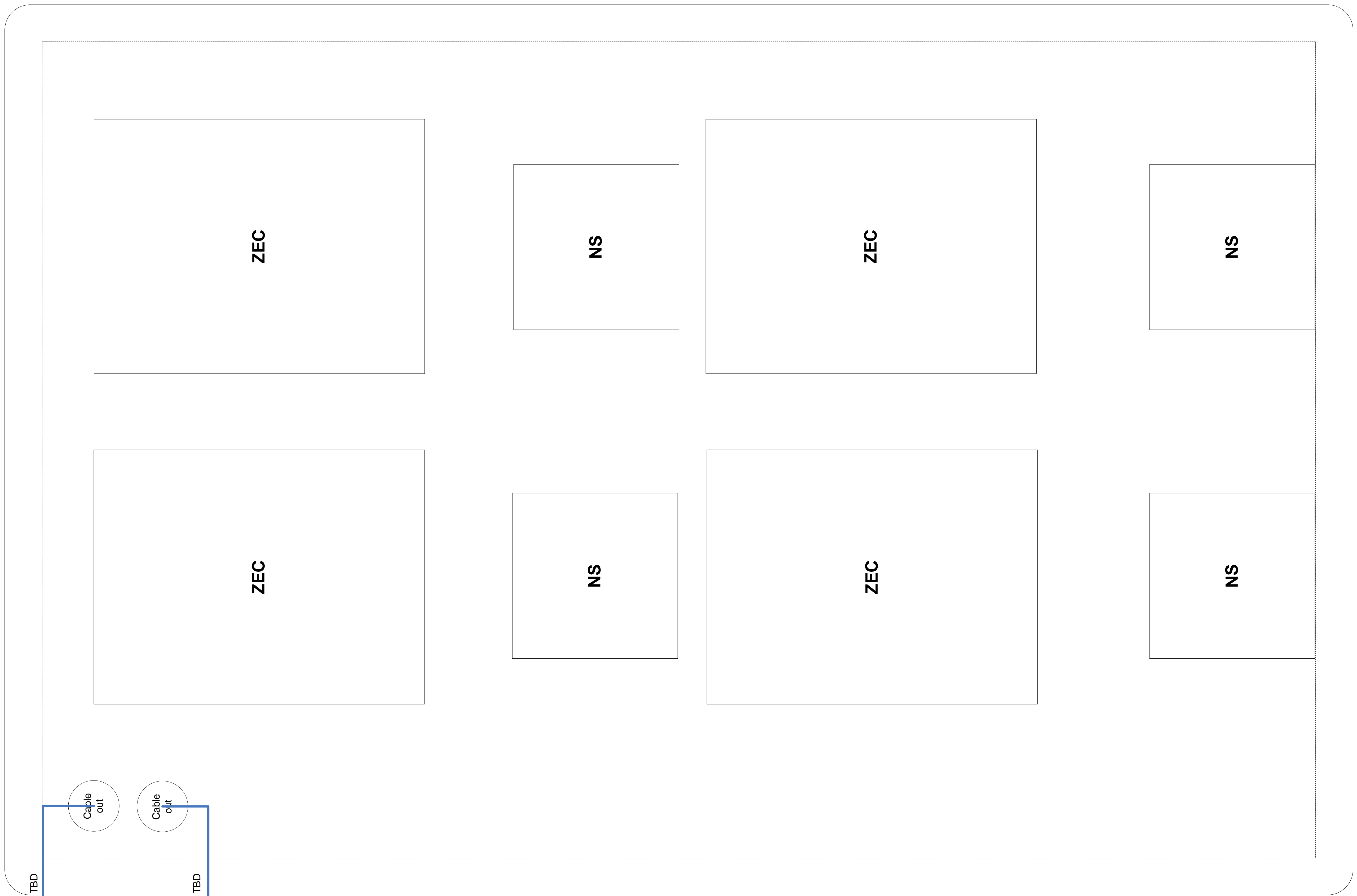


- Need to do the following:
- strip components off leaving only layout holes
 - convert to autocad.dwg file format

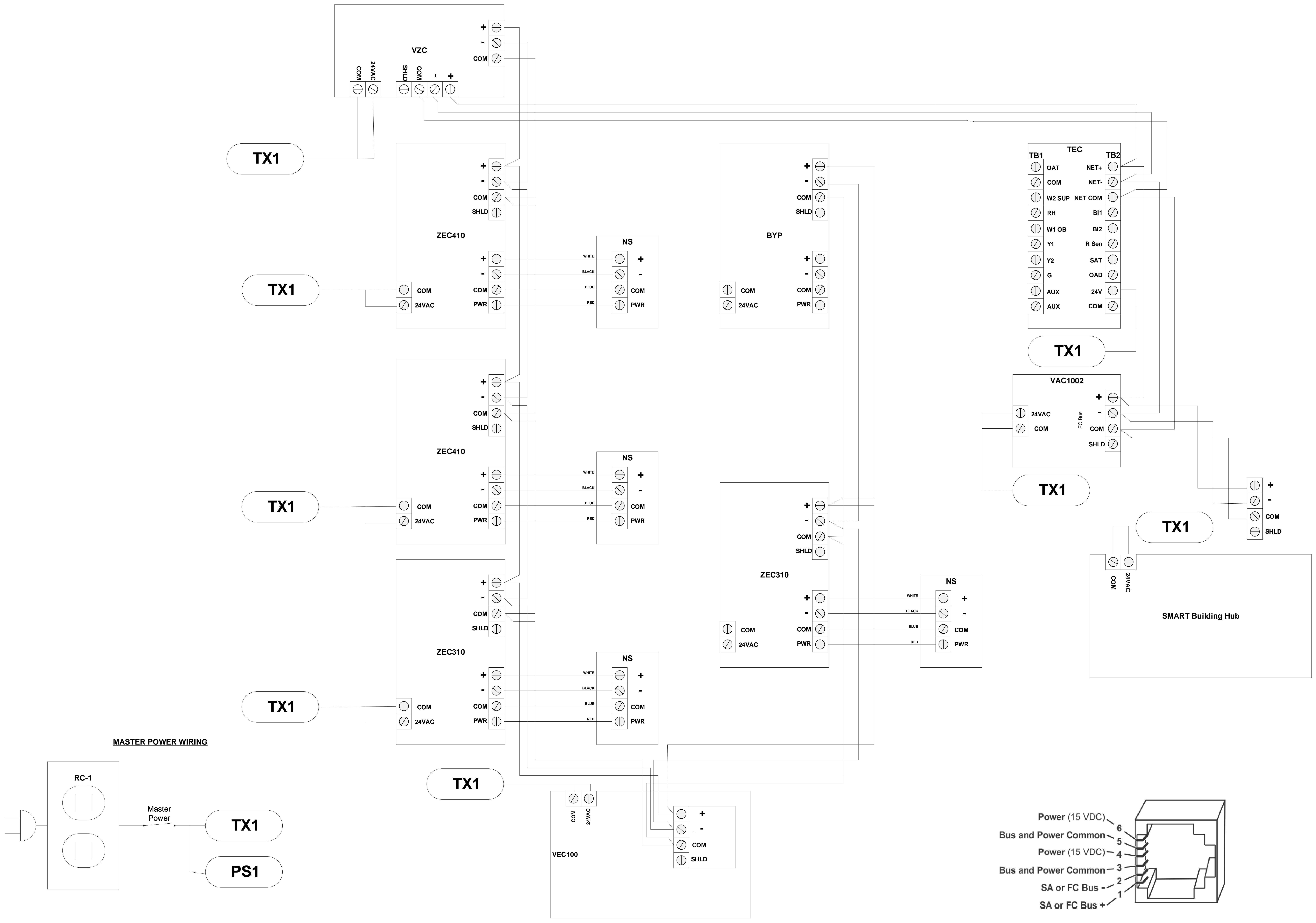


UK1327 Loadout case
inside dim = 27 x 18.1 x 13.4 (Lid = 4.7, Base = 8.7)

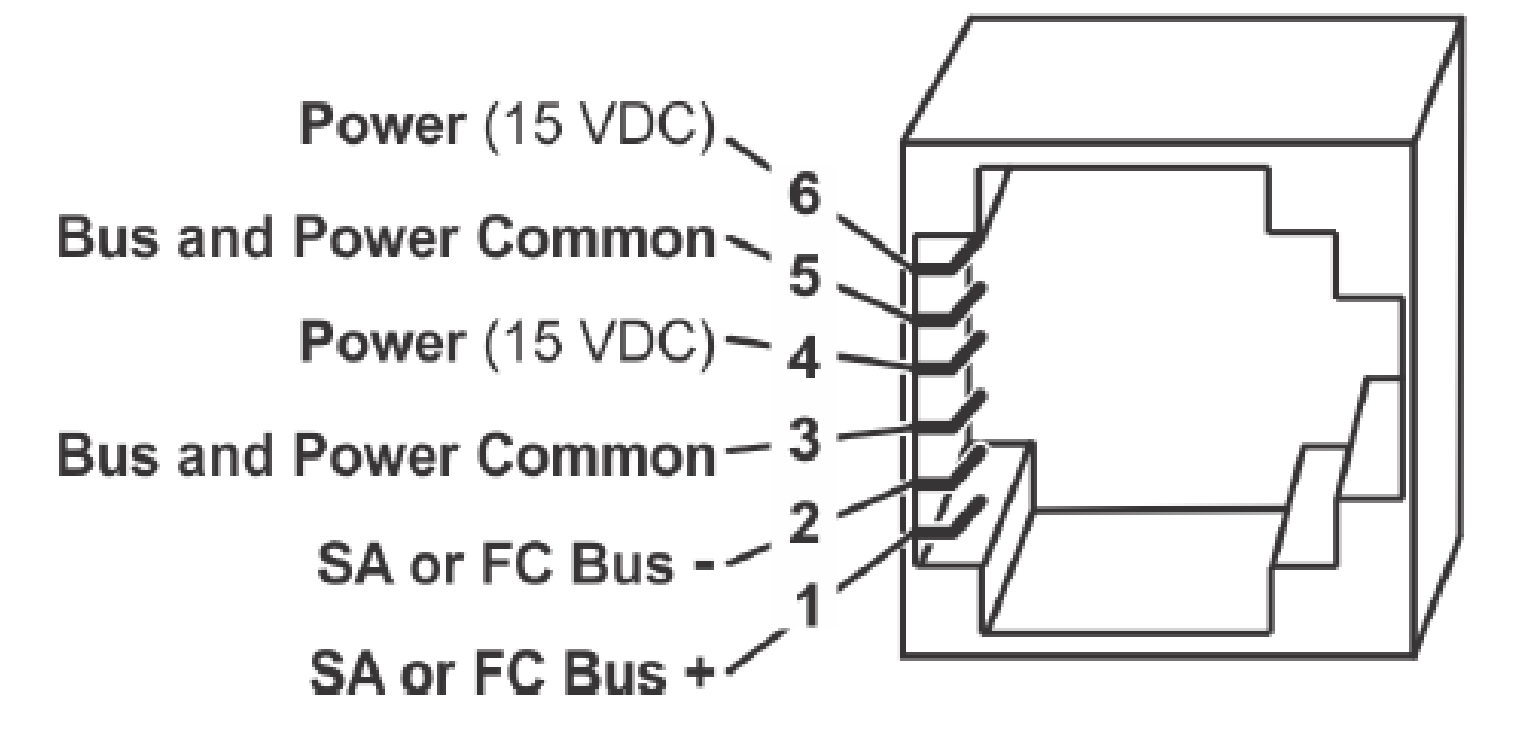
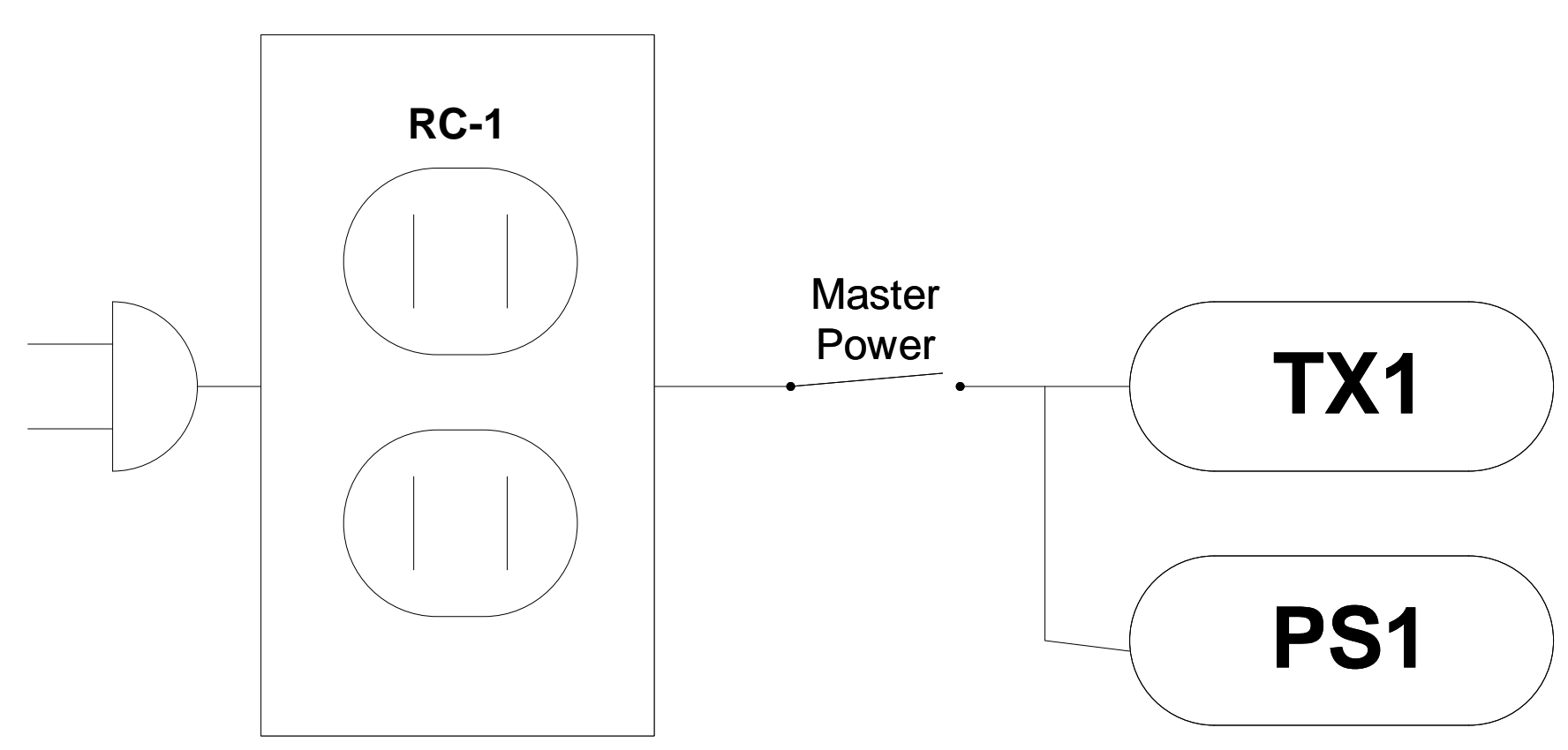
Horizontal (Flat) layout draft (Lid = Top / Back = Bottom)

Drawing Title		Full Layout		NO.		REVISION/LOCATION		ECN		DATE		BY	
Project Title		Verasys Demo Station		Sales Engineer		Project Manager		Approver		Engineer		DATE	
Branch Information		Johnson Controls, Inc.		9410 Bunson Parkway		Suite 100A		Louisville, KY 40220		(502) 671-7500		CONTRACT NUMBER	
DRAWING NUMBER		1 of x		DATE		0		DATE		0		DATE	





MASTER POWER WIRING



FC BUS WIRING DETAIL

