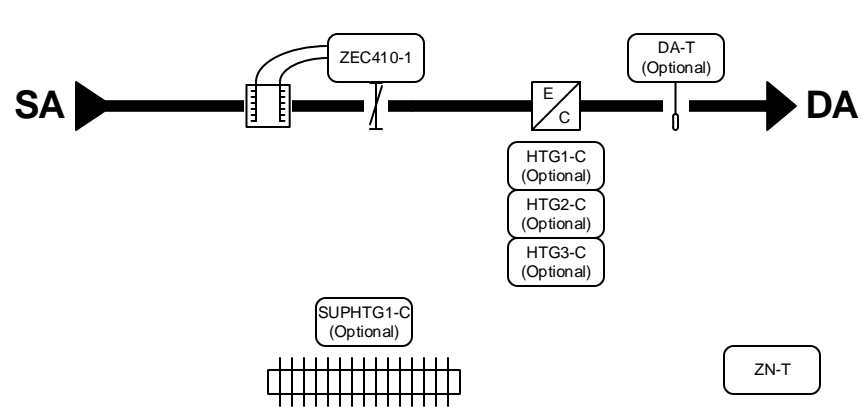
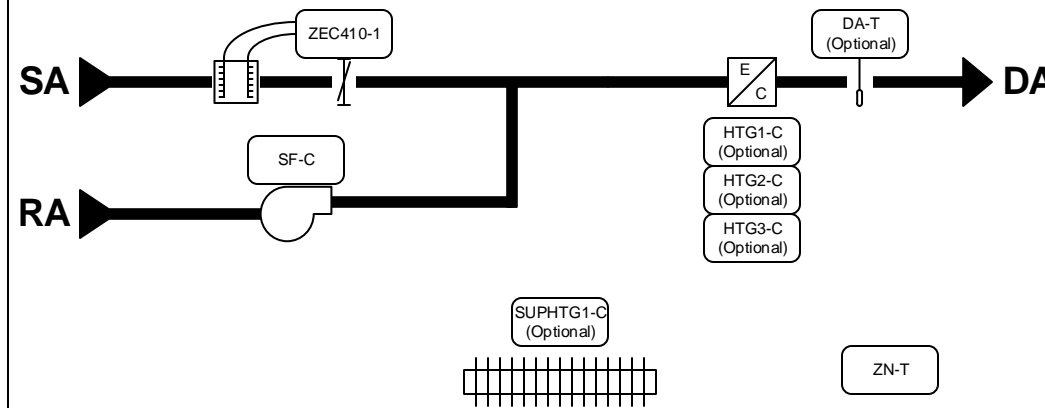


## Multizone Unit - VAV with Staged Reheat Control

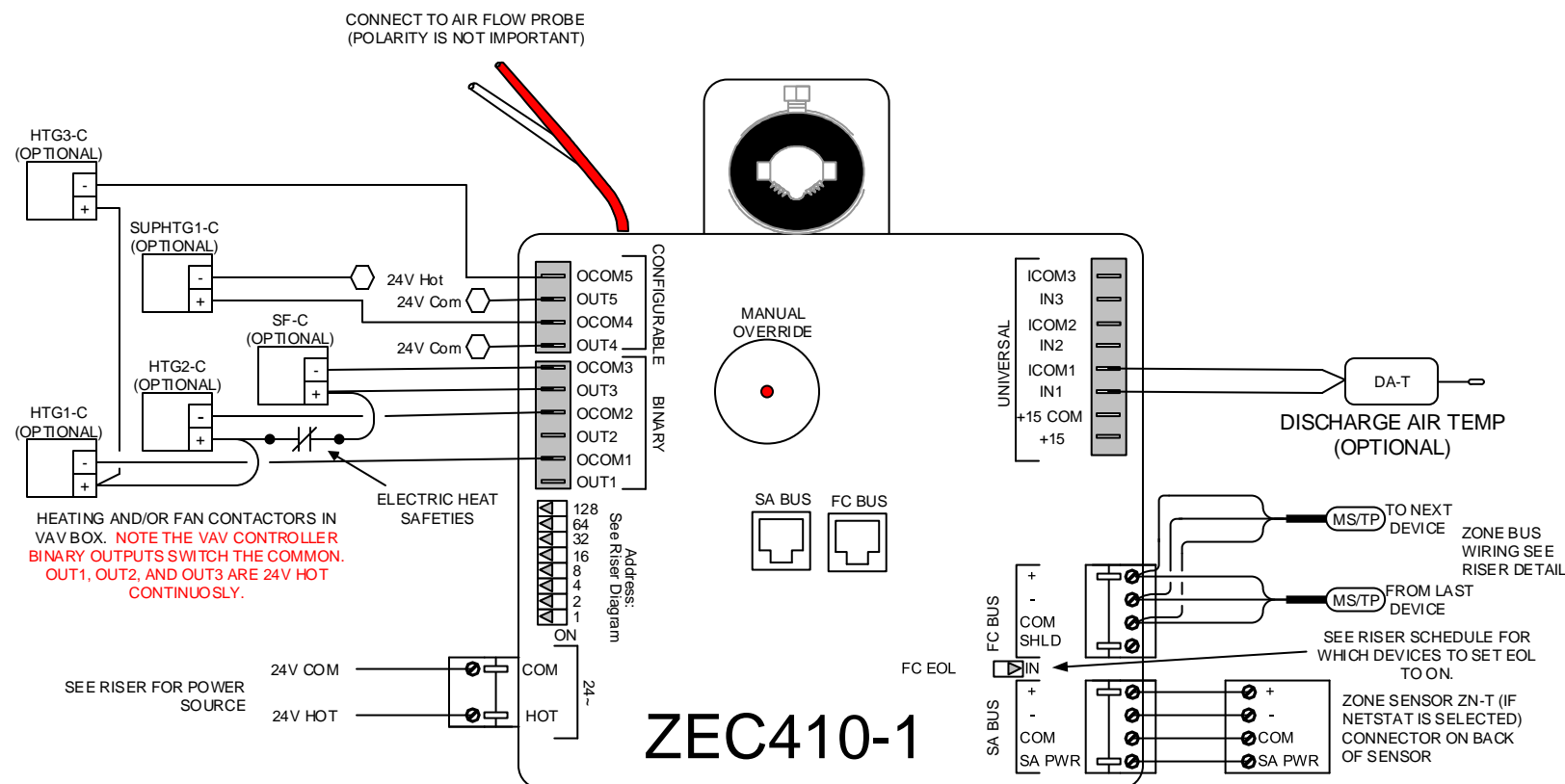
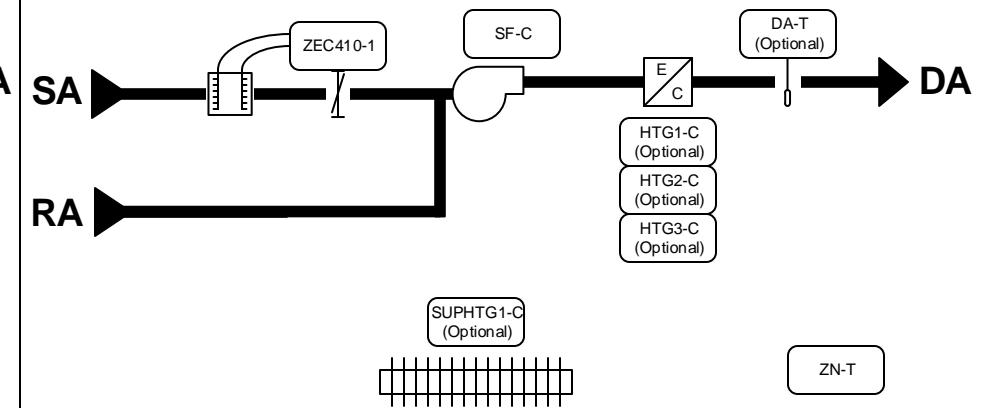
### VAV with No Fan



### VAV with Parallel Fan



### VAV with Series Fan



**OCCUPIED MODE:** WHEN THE ZONE TEMPERATURE IS BETWEEN THE OCCUPIED HEATING AND COOLING SETPOINTS (INSIDE OF THE BIAS), THE PRIMARY AIR DAMPER WILL BE AT THE MINIMUM CFM AND THERE WILL BE NO MECHANICAL HEATING. ON A RISE IN ZONE TEMPERATURE ABOVE THE COOLING SETPOINT, THE PRIMARY AIR DAMPER WILL INCREASE THE CFM AND THERE WILL BE NO MECHANICAL HEATING. ON A DROP IN ZONE TEMPERATURE BELOW THE HEATING SETPOINT, THE SUPPLEMENTAL HEATING COIL WILL BE FULLY UTILIZED BEFORE THE REHEAT HEAT COIL IS ENABLED, THE DAMPER IS CONTROLLED TO PROVIDE A MINIMUM CFM. NOTE: THE BOX REHEAT AND SUPPLEMENTAL REHEAT IS AN OPTION TO HAVE ON THE BOX. IF NEITHER IS SELECTED YOU HAVE A COOLING ONLY BOX.

**UNOCCUPIED MODE:** WHEN IN THIS MODE, WHILE THE ZONE TEMPERATURE IS BETWEEN THE UNOCCUPIED HEATING AND COOLING SETPOINTS (INSIDE OF THE BIAS), THE PRIMARY AIR DAMPER WILL BE AT THE MINIMUM CFM, THERE WILL BE NO MECHANICAL HEATING. ON A RISE IN ZONE TEMPERATURE ABOVE THE UNOCCUPIED COOLING SETPOINT, THE PRIMARY AIR DAMPER WILL INCREASE THE CFM (IF AVAILABLE), AND THERE WILL BE NO MECHANICAL HEATING. ON A DROP IN ZONE TEMPERATURE BELOW THE UNOCCUPIED HEATING SETPOINT, THE SUPPLEMENTAL HEATING COIL WILL BE FULLY UTILIZED BEFORE THE REHEAT HEAT COIL IS ENABLED, THE DAMPER WILL BE AT THE MINIMUM CFM.

**UNIT ENABLE:** A NETWORK UNIT ENABLE SIGNAL WILL CONTROL THE MODE OF THE BOX.

**FAN CONTROL (OPTIONAL):** PARALLEL FAN - UPON A CALL FOR HEAT THE FAN WILL CYCLE ON. ALL OTHER STATES IT WILL BE OFF. SERIES FAN - DURING THE OCCUPIED MODE THE FAN WILL RUN CONTINUOUSLY. DURING THE UNOCCUPIED MODE IT WILL CYCLE ON WITH A CALL FOR HEATING OR COOLING.

Drawing Title									
<b>VAV with Staged Reheat Control</b>									
REFERENCE DRAWING		NO.		REVISION-LOCATION		ECN		DATE	
Sales Engineer		Project Manager		Applicat on Engineer		DRAWN		APPROVED	
		BY		DATE		BY		DATE	
Project Title		Branch Information		CONTRACT NUMBER					
								<b>ZEC410-1</b>	