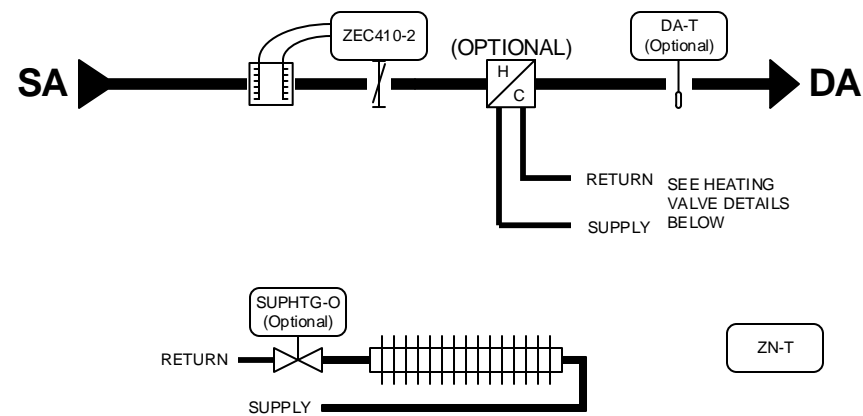
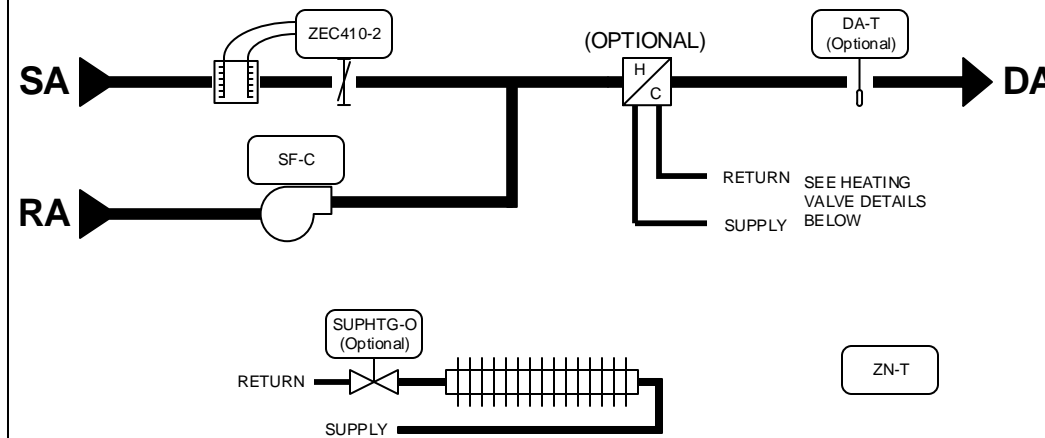


Multizone Unit - VAV with Increment Reheat Control

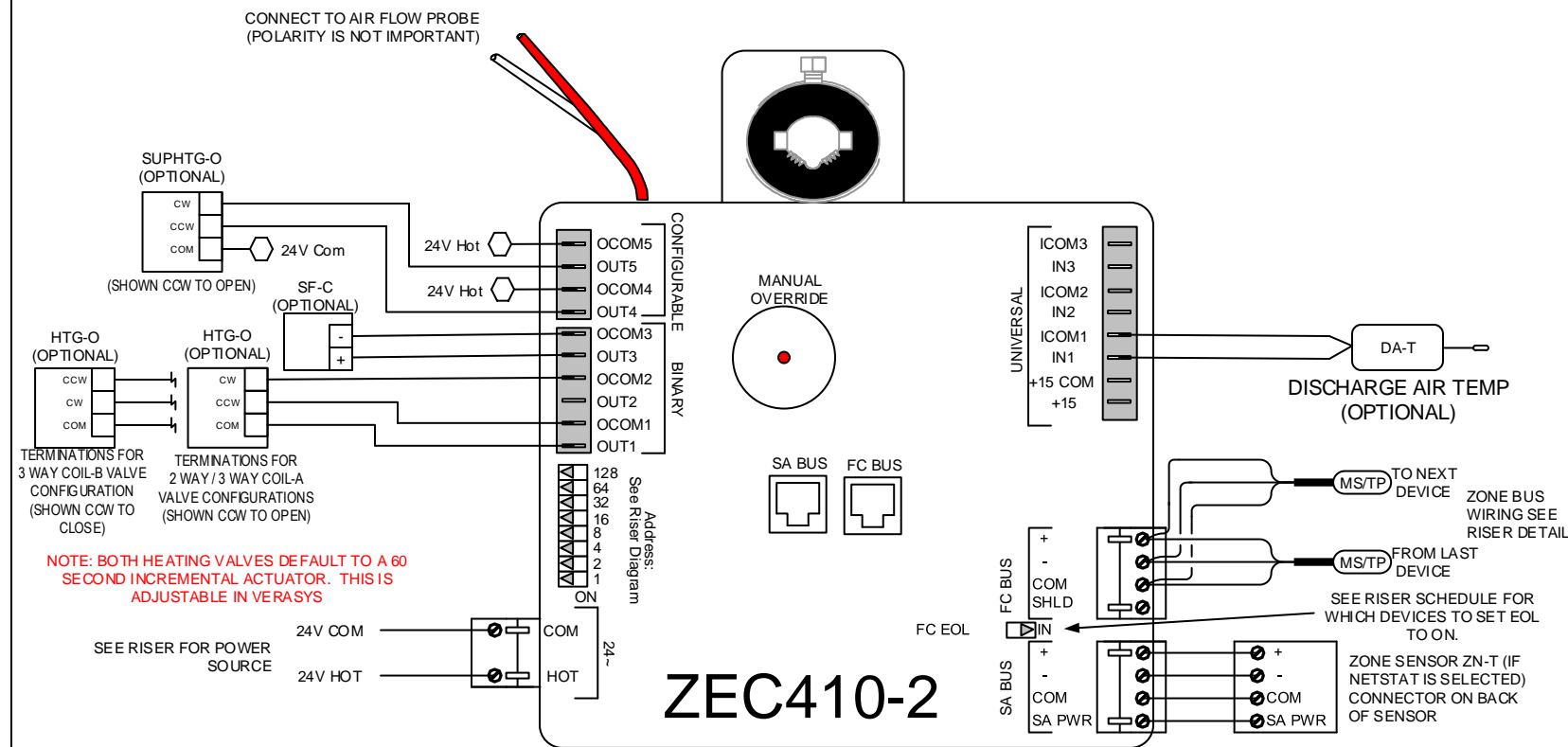
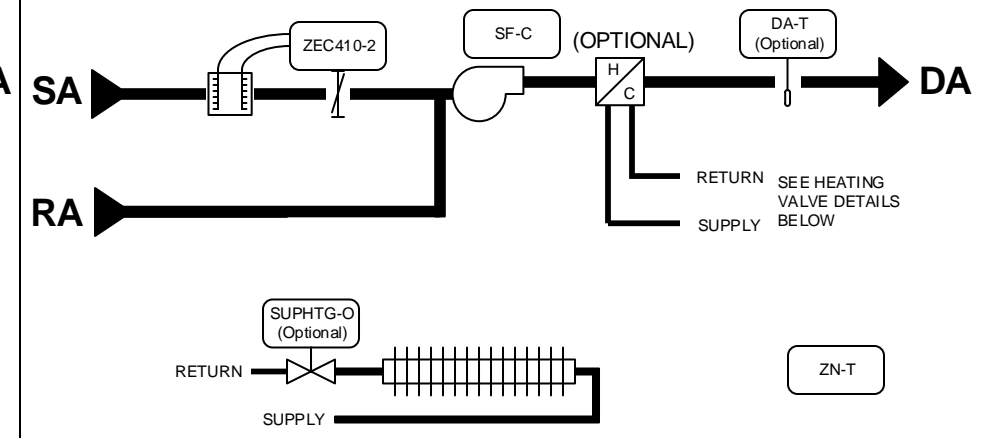
VAV with No Fan



VAV with Parallel Fan



VAV with Series Fan

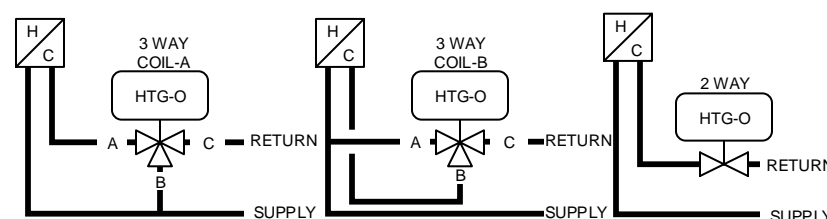


OCCUPIED MODE: WHEN THE ZONE TEMPERATURE IS BETWEEN THE OCCUPIED HEATING AND COOLING SETPOINTS (INSIDE OF THE BIAS), THE PRIMARY AIR DAMPER WILL BE AT THE MINIMUM CFM AND THERE WILL BE NO MECHANICAL HEATING. ON A RISE IN ZONE TEMPERATURE ABOVE THE COOLING SETPOINT, THE PRIMARY AIR DAMPER WILL INCREASE THE CFM AND THERE WILL BE NO MECHANICAL HEATING. ON A DROP IN ZONE TEMPERATURE BELOW THE HEATING SETPOINT, THE SUPPLEMENTAL HEATING COIL WILL BE FULLY UTILIZED BEFORE THE REHEAT HEAT COIL IS ENABLED, THE DAMPER IS CONTROLLED TO PROVIDE A MINIMUM CFM. NOTE: THE BOX REHEAT AND SUPPLEMENTAL REHEAT IS AN OPTION TO HAVE ON THE BOX. IF NEITHER IS SELECTED YOU HAVE A COOLING ONLY BOX.

UNOCCUPIED MODE: WHEN IN THIS MODE, WHILE THE ZONE TEMPERATURE IS BETWEEN THE UNOCCUPIED HEATING AND COOLING SETPOINTS (INSIDE OF THE BIAS), THE PRIMARY AIR DAMPER WILL BE AT THE MINIMUM CFM, THERE WILL BE NO MECHANICAL HEATING. ON A RISE IN ZONE TEMPERATURE ABOVE THE UNOCCUPIED COOLING SETPOINT, THE PRIMARY AIR DAMPER WILL INCREASE THE CFM (IF AVAILABLE), AND THERE WILL BE NO MECHANICAL HEATING. ON A DROP IN ZONE TEMPERATURE BELOW THE UNOCCUPIED HEATING SETPOINT, THE SUPPLEMENTAL HEATING COIL WILL BE FULLY UTILIZED BEFORE THE REHEAT HEAT COIL IS ENABLED, THE DAMPER WILL BE AT THE MINIMUM CFM.

UNIT ENABLE: A NETWORK UNIT ENABLE SIGNAL WILL CONTROL THE MODE OF THE BOX.

FAN CONTROL (OPTIONAL): PARALLEL FAN - UPON A CALL FOR HEAT THE FAN WILL CYCLE ON. ALL OTHER STATES IT WILL BE OFF. SERIES FAN - DURING THE OCCUPIED MODE THE FAN WILL RUN CONTINUOUSLY. DURING THE UNOCCUPIED MODE IT WILL CYCLE ON WITH A CALL FOR HEATING OR COOLING.



PIPING DETAILS SHOWN FOR VALVE CONFIGURATIONS:
SEE THE VALVE SCHEDULE FOR THE SPECIFIC CONFIGURATION
SEE THE WIRING DETAIL BELOW FOR TERMINATIONS FOR SPECIFIC APPLICATION

Drawing Title VAV with Incremental Reheat Control					
Project Title		Branch Information		CONTRACT NUMBER	
		VERASYS		DRAWING NUMBER ZEC410-2	
REFERENCE DRAWING	NO.	REVISION-LOCATION	ECN	DATE	BY
Sales Engineer	Project Manager	Appl cat on Engineer			
BY	DATE	BY	DATE	BY	DATE