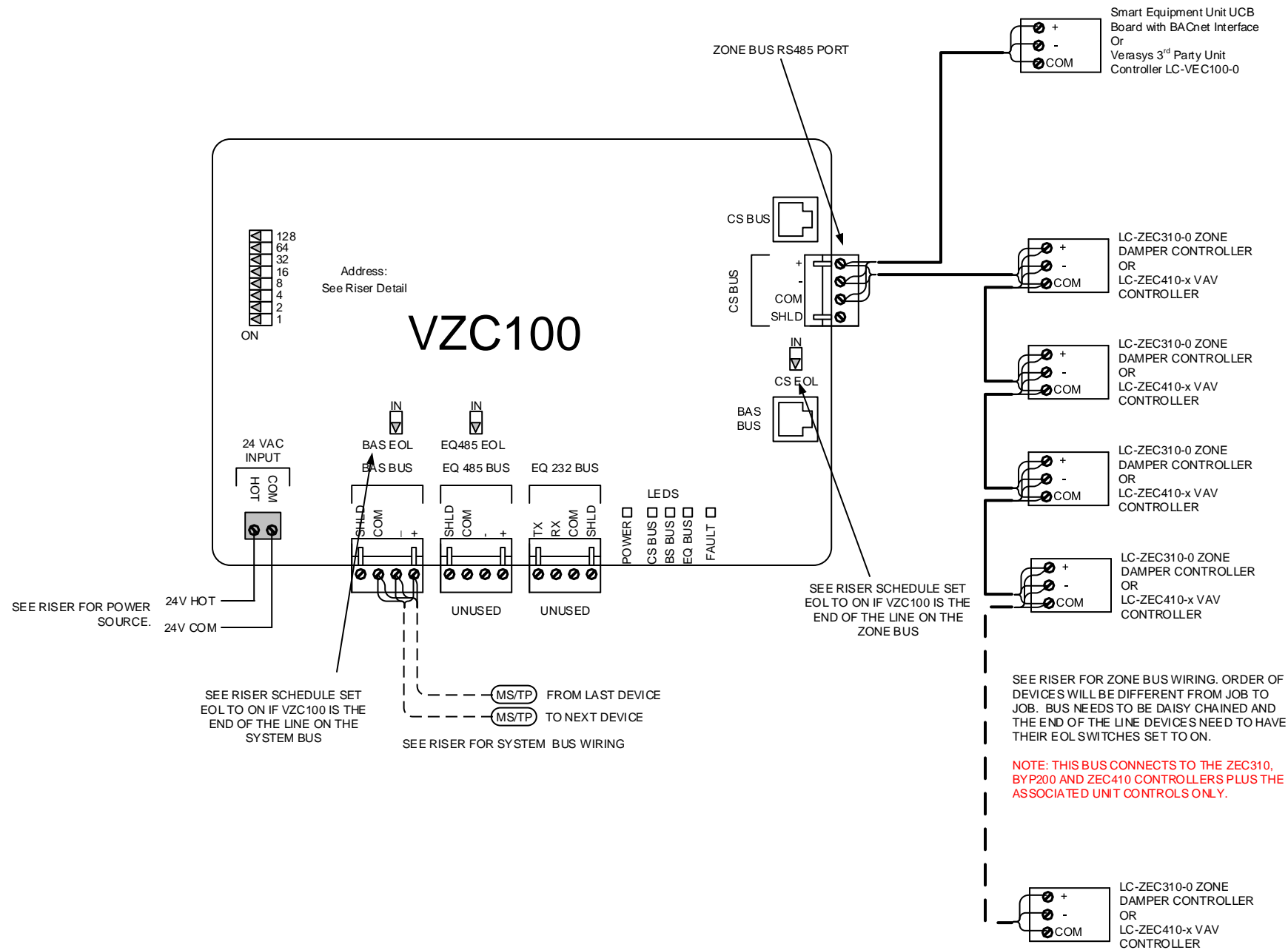


# Verasys Zone Coordinator



**SCHEDULING:** THE ZONE COORDINATOR WILL HOLD A SCHEDULE FOR THE UNIT AND ASSOCIATED ZONES. WHEN THE SCHEDULE IS OCCUPIED THE UNIT AND ZONES ASSOCIATED TO THE COORDINATOR WILL BE INDEXED TO OCCUPIED. WHEN THIS SCHEDULE IS SET TO UNOCCUPIED THE UNIT AND THE ZONES WILL BE SET TO UNOCCUPIED.

**SYSTEM TYPE:** THRU THE INTERFACE IN ZONE COORDINATOR THE COORDINATOR CAN BE SET TO CONTROL A VAV SYSTEM OR A CHANGE OVER BYPASS SYSTEM DEPENDING UPON SELECTION THE UNIT AND ZONE WILL OPERATE AS FOLLOWS.

**VAV SYSTEM:** WHEN SET TO VAV, THE UNIT WILL CONTROL TO THE DISCHARGE AIR TEMPERATURE SETPOINT WHICH IS RESET BASED ON A REPRESENTATIVE ZONE. IF THIS FEATURE IS DISABLED THE UNIT WILL CONTROL TO A FIXED DISCHARGE AIR TEMPERATURE. IN ADDITION TO TEMPERATURE THE UNIT WILL CONTROL THE PRESSURE WHICH MAYBE RESET BASED ON THE DAMPER OF THE ZONE CALLING FOR THE MOST COOLING. IT TOO MAYBE DISABLED AND A FIXED SETPOINT CAN BE SET. THE VAV BOXES WILL CONTROL EACH ZONE TO THE ZONE SETPOINT USING THE UNITS COOLING FOR COOLING AND THE BOX HEAT FOR REHEAT (IF AVAILABLE).

**CHANGE OVER BYPASS SYSTEM:** WHEN SET TO CHANGE OVER BYPASS, THE UNIT WILL CONTROL THE DISCHARGE AIR TO PROVIDE EITHER HEATING OR COOLING DEPENDING UPON THE VOTE OF THE ZONES. THE USER WILL HAVE THE ABILITY TO DECLARE WHICH ZONE CAN VOTE AND HOW MUCH VOTING POWER THEY WILL HAVE. THE PRESSURE IN THE DUCT WILL BE CONTROLLED BY THE BYPASS DAMPER CONTROLLER. EACH ZONE DAMPER WILL INDEPENDANTLY CONTROL TO HEATING OR COOLING DEPENDING UPON THE DISCHARGE OF THE UNIT. IF THE ZONE IS CONTROLLED BY A VAV BOX THE ZONE MAYBE ABLE TO PROVIDE HEATING WHEN THE DISCHARGE IS COOLING. WHEN THE UNIT IS OFF THE BYPASS DAMPER WILL INDEX TO 50%.

THIS IS A SIMPLIFIED SEQUENCE FOR HOW THE VAV AND CHANGE OVER BYPASS SYSTEM WILL WORK. FOR MORE DETAILED INFORMATION SEE THE VERASYS USER MANUAL.

Drawing Title									
Verasys Zone Coordinator									
REFERENCE DRAWING		NO.		REVISION-LOCATION		ECN		DATE	
Sales Engineer		Project Manager		Applicat on Engineer		DRAWN		APPROVED	
				BY		DATE		BY	
Project Title		Branch Information		CONTRACT NUMBER		DRAWING NUMBER		VZC100	
		VERASYS™							