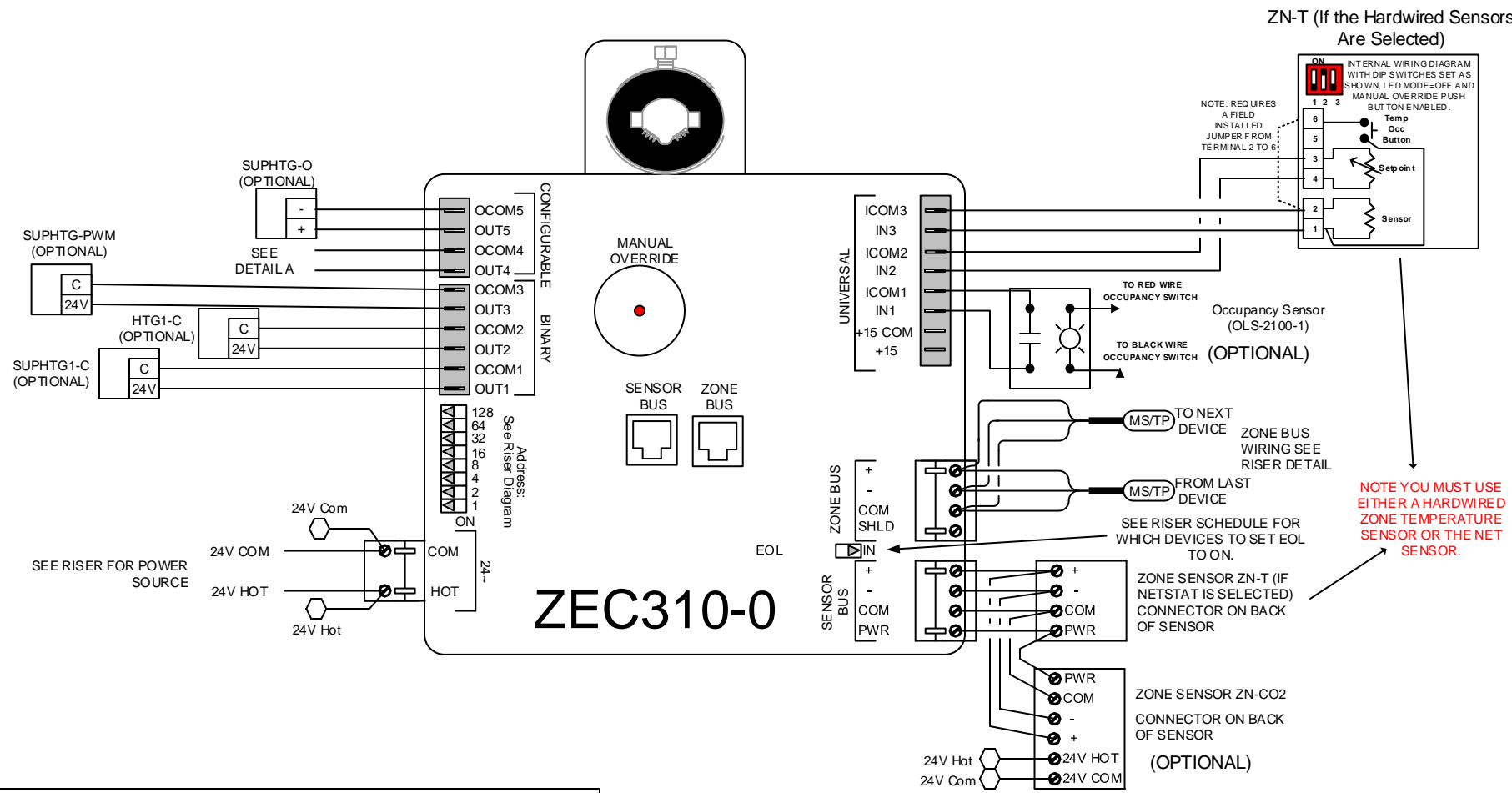
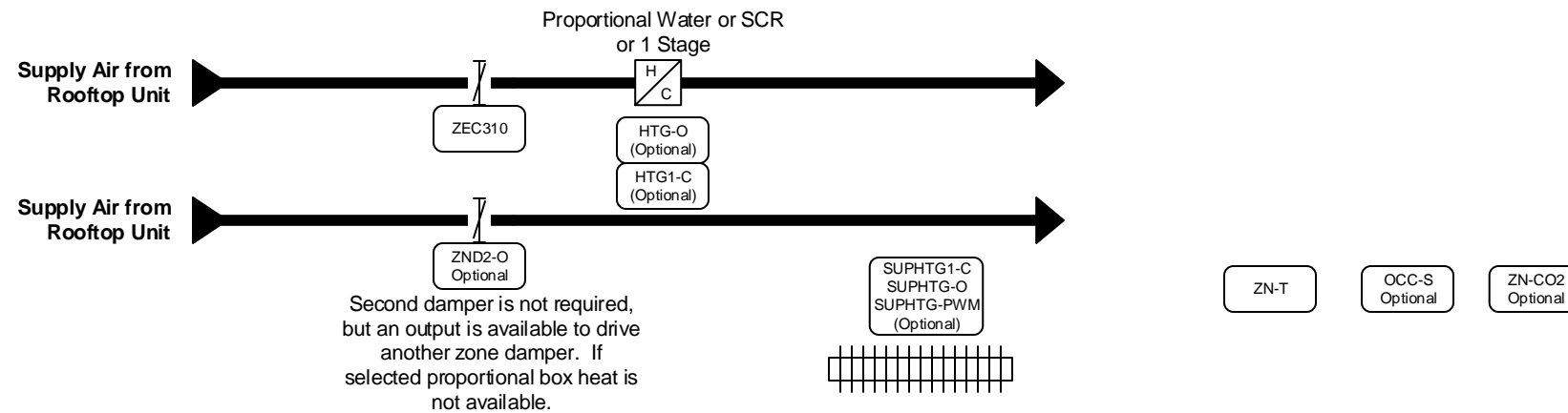


Multizone Unit - Zone Damper Control



OCCUPIED MODE: THE ZONE DAMPER CONTROLLER WILL MONITOR WHETHER WARM OR COOL AIR IS BEING SUPPLIED. ON A RISE IN ZONE TEMPERATURE ABOVE THE OCCUPIED COOLING SETPOINT AND SUPPLY AIR IS COOL, THE PRIMARY AIR DAMPER WILL MODULATE OPEN. ON A DROP IN ZONE TEMPERATURE BELOW THE OCCUPIED HEATING SETPOINT AND SUPPLY AIR IS WARM, THE PRIMARY AIR DAMPER WILL MODULATE OPEN. IF THE SUPPLY AIR IS NOT THE TYPE, WARM OR COOL, TO SATISFY THE COOLING OR HEATING REQUIREMENTS, THE PRIMARY AIR DAMPER WILL REMAIN AT MINIMUM POSITION.

UNOCCUPIED MODE: ALL ZONE DAMPER CONTROLLERS WILL BE INDEXED TO UNOCCUPIED HEATING AND COOLING SETPOINTS AND THE PRIMARY AIR DAMPERS FULLY OPEN. ON A RISE IN ZONE TEMPERATURE ABOVE THE UNOCCUPIED COOLING SETPOINT AND SUPPLY AIR IS COOL, THE PRIMARY AIR DAMPER WILL MODULATE OPEN. ON A DROP IN ZONE TEMPERATURE BELOW THE UNOCCUPIED HEATING SETPOINT AND SUPPLY AIR IS WARM, THE PRIMARY AIR DAMPER WILL MODULATE OPEN. IF THE SUPPLY AIR IS NOT THE TYPE, WARM OR COOL, TO SATISFY THE COOLING OR HEATING REQUIREMENTS, THE PRIMARY AIR DAMPER WILL REMAIN AT MINIMUM POSITION.

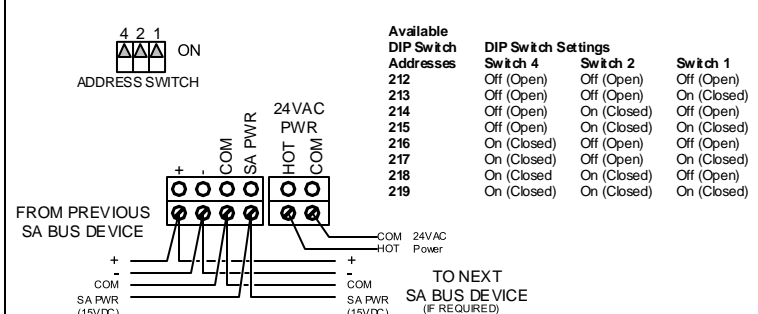
SUPPLEMENTAL HEATING (OPTIONAL): OUTPUTS FOR SUPPLEMENT HEATING WILL ALLOW THE USE TO ADD SUPPLEMENTAL HEATING TO THE CONTROLLER. IF ADDED AND SUPPLEMENTAL HEAT IS SET TO TRUE THE CONTROLLER WILL TRY TO USE SUPPLEMENTAL HEATING BEFORE VOTING FOR UNIT HEATING. IF THE SPACE DOES NOT SATISFY WITH ALL OF THE LOCAL HEAT THE CONTROLLER WILL VOTE FOR HEAT AND IF AVAILABLE WILL ALSO USE IT TO SATISFY THE SPACE.

BOX HEATING (OPTIONAL): OUTPUTS FOR BOX HEATING WILL ALLOW THE USE TO ADD BOX HEATING TO THE CONTROLLER. IF ADDED THE CONTROLLER WILL TRY TO USE BOX HEATING BEFORE VOTING FOR UNIT HEATING. IF SUPPLEMENTAL HEAT IS ALSO ADDED THE USER CAN DECIDE WHICH IS USED FIRST. IF THE SPACE DOES NOT SATISFY WITH ALL OF THE LOCAL HEAT THE CONTROLLER WILL VOTE FOR HEAT AND IF AVAILABLE WILL ALSO USE IT TO SATISFY THE SPACE.

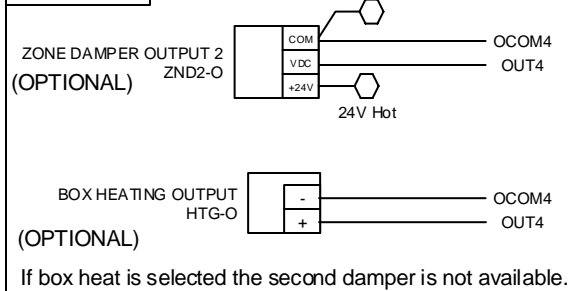
OCCUPANCY LIGHTING SWITCH (OPTIONAL): A OCCUPANCY LIGHTING SWITCH CAN BE ADDED TO THE CONTROLLER AND WILL TEMPORARILY SET THE CONTROLLER TO STANDBY MODE WHEN THE OCCUPANCY IS NOT BEING SENSED. WHEN THE CONTROLLER SENSES OCCUPANCY, THE ZONE WILL SWITCH BACK TO OCCUPIED. STANDBY MODE USES STANDBY TEMPERATURE SETPOINTS THAT ARE SLIGHTLY HIGHER OR LOWER THAN THE OCCUPIED COOLING OR HEATING SETPOINTS RESPECTIVELY.

DEMAND CONTROL VENTILATION (OPTIONAL): WHEN THE ZONE CO2 SENSOR IS WIRED TO THE CONTROLLER, TO SENSE THE AIR QUALITY IN THE ZONE, THE MINIMUM DAMPER POSITIONS ARE PROPORTIONALLY RESET BASED ON AN AIR QUALITY (CO2) SETPOINT. THE RESET OF THE DAMPER MINIMUM POSITIONS DO NOT EXCEED THE MAXIMUM VALUE THAT THE USER SETS. IF THE CO2 SENSOR IS NOT CONNECTED THE CONTROLLER WILL USE THE COOLING MINIMUM POSITION AND THE HEATING MINIMUM POSITION.

CO2 NET STAT WITH TERMINALS ADDRESSABLE



DETAIL A



Drawing Title							
Zone Damper Control							
REFERENCE DRAWING	NO.	REVISION-LOCATION	ECN	APPROVED	BY		
Sales Engineer	Project Manager	Application Engineer	BY	DATE	BY	DATE	
Project Title			Branch Information	CONTRACT NUMBER			
			DRAWING NUMBER				
			ZEC310-0				

